
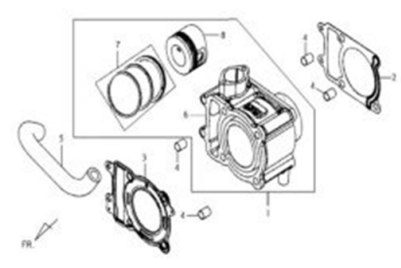
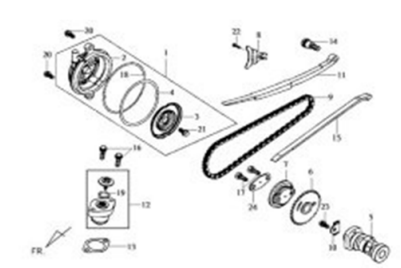
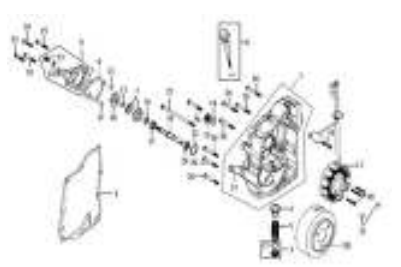
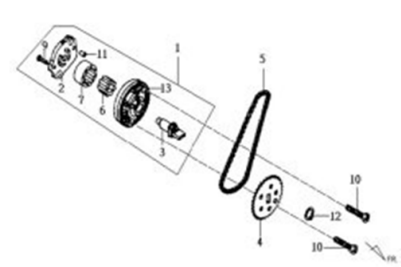
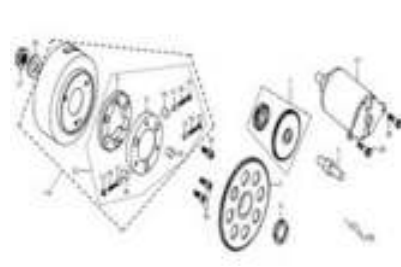
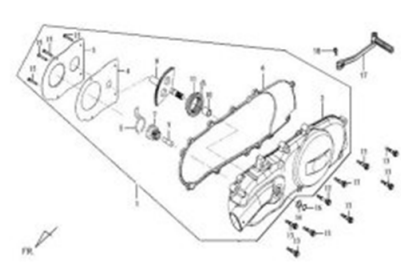
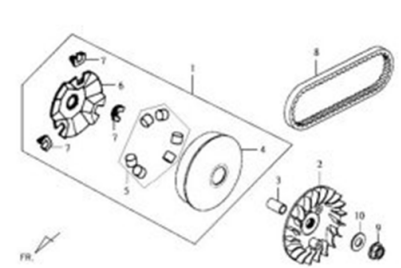
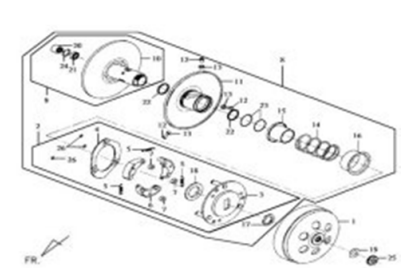
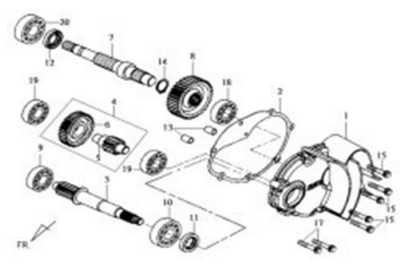
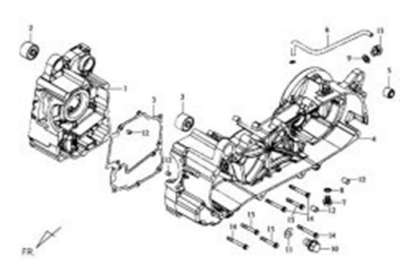
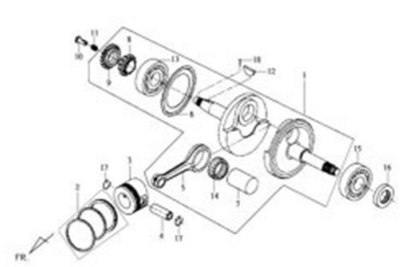


UPDATE : 24/8/2015

N O	MODEL		BLUE		BLUE		GRAY		GRAY		BLACK		BLACK		SILVER		SILVER	
	BASIC COLOR		BL		BL1		GY		GY1		BK		BK1		S		S1	
	CODE		BK-283S-D		BU-283S		GY-430S-D		GY-430S		BK-231P-D		BK-231P		S-421S-D		S-421S	
Item	Parts Number	Description	Basic Color	Code	Basic Color	Code	Basic Color	Code	Basic Color	Code	Basic Color	Code	Basic Color	Code	Basic Color	Code	Basic Color	Code
1	61100-HMA-000	FR FENDER	BU-283S-D	BZ	BU-283S	BJ	GY-403S-D	IZ	GY-430S	IF	BK-231P-D	KZ	BK-231P	KX	S-421S-D	QZ	S-421S	SO
2	53205-HMA-900	UP HANDLE COVER	BK-001U	KA	BK-001U	KA	BK-001U	KA	BK-001U	KA	BK-001U	KA	BK-001U	KA	BK-001U	KA	BK-001U	KA
3	64300-HMA-000	FR UNDER SPOILER	BU-283S-D	BZ	BU-283S	BJ	GY-403S-D	IZ	GY-430S	IF	BK-231P-D	KZ	BK-231P	KX	S-421S-D	QZ	S-421S	SO
4	64301-HMA-010	FR COVER	BU-283S-D	BZ	BU-283S	BJ	GY-403S-D	IZ	GY-430S	IF	BK-231P-D	KZ	BK-231P	KX	S-421S-D	QZ	S-421S	SO
5	81131-HMA-000	INNER BOX	BK-001U	KA	BK-001U	KA	BK-001U	KA	BK-001U	KA	BK-001U	KA	BK-001U	KA	BK-001U	KA	BK-001U	KA
6	81200-HMA-000	RR. CARRIER	BU-283S-D	BZ	BU-283S	BJ	GY-403S-D	IZ	GY-430S	IF	BK-231P-D	KZ	BK-231P	KX	S-421S-D	QZ	S-421S	SO
7	81211-HMA-000	RR. CARRIER CAP	BU-283S-D	BZ	BU-283S	BJ	GY-403S-D	IZ	GY-430S	IF	BK-231P-D	KZ	BK-231P	KX	S-421S-D	QZ	S-421S	SO
8	X	X																
9	8125A-HTA-000	LUGGAGE BOX ASSY	BK-001U	●	BK-001U	●	BK-001U	●	BK-001U	●	BK-001U	●	BK-001U	●	BK-001U	●	BK-001U	●
10	83501-HMA-000	R BODY COVER GARNISH	MRCR-S/BK-001U	●	MRCR-S/BK-001U	●	MRCR-S/BK-001U	●	MRCR-S/BK-001U	●	MRCR-S/BK-001U	●	MRCR-S/BK-001U	●	MRCR-S/BK-001U	●	MRCR-S/BK-001U	●
11	8350G-HTA-000	R BODY CVOER ASSY.	BU-283S-D	BZ1	BU-283S	BJ1	GY-403S-D	IZ1			BK-231P-D	KZ1			S-421S-D	QZ1	S-421S	SO1
11-1	RM-001-001	GRAPHIC-VTS 200 LOGO		●		●		●				●						●
11	83500-HMA-000	R BODY CVOER							GY-430S	IF			BK-231P	KX				
11-1	RM-001-001	GRAPHIC-VTS 200 LOGO												●				
12	83601-HMA-000	L BODY COVER GARNISH	MRCR-S/BK-001U	●	MRCR-S/BK-001U	●	MRCR-S/BK-001U	●	MRCR-S/BK-001U	●	MRCR-S/BK-001U	●	MRCR-S/BK-001U	●	MRCR-S/BK-001U	●	MRCR-S/BK-001U	●
13	8360G-HTA-000	L BODY COVER ASSY.	BU-283S-D	BZ1	BU-283S	BJ1	GY-403S-D	IZ1			BK-231P-D	KZ1			S-421S-D	QZ1	S-421S	SO1
13-1	RM-001-001	GRAPHIC-VTS 200 LOGO		●		●		●				●						●
13	83600-HMA-000	L BODY COVER							GY-430S	IF			BK-231P	KX				
13-1	RM-001-001	GRAPHIC-VTS 200 LOGO												●				
14	83520-HMA-000	R SIDE COVER	BU-283S-D	BZ	BU-283S	BJ	GY-403S-D	IZ	GY-430S	IF	BK-231P-D	KZ	BK-231P	KX	S-421S-D	QZ	S-421S	SO
15	83620-HTA-000	L SIDE COVER	BU-283S-D	BZ	BU-283S	BJ	GY-403S-D	IZ	GY-430S	IF	BK-231P-D	KZ	BK-231P	KX	S-421S-D	QZ	S-421S	SO
16	88110-HMA-900	R BACK MIRROR ASSY.	BK-001U	●	BK-001U	●	BK-001U	●	BK-001U	●	BK-001U	●	BK-001U	●	BK-001U	●	BK-001U	●
17	88120-HMA-900	L BACK MIRROR ASSY.	BK-001U	●	BK-001U	●	BK-001U	●	BK-001U	●	BK-001U	●	BK-001U	●	BK-001U	●	BK-001U	●

PRICE SHOWN IS PER PIECE. Product image price are approximate guide only.
Prices shown are subject to change without prior notice.

CONTENTS—ENGINE GROUP

<p>E01 CYLINDER HEAD ASS'Y</p> 	<p>E02 CYLINDER ASS'Y</p> 	<p>E03 CYL. HEAD SIDE COVER ASSY</p> 
<p>E04 R. CRANK CASE COVER</p> 	<p>E05 OIL PUMP ASS'Y</p> 	<p>E06 START. REDUCT. GEAR COMP</p> 
<p>E07 L. CRANK CASE COVER</p> 	<p>E08 MOVABLE DRIVE FACE ASS'Y</p> 	<p>E09 DRIVEN PULLEY ASS'Y</p> 
<p>E10 MISSION COVER COUNTER SHAFT</p> 	<p>E11 R. CRANK CASE COMP.</p> 	<p>E12 CRANK SHAFT COMP.</p> 

PRICE SHOWN IS PER PIECE. Product image price are approximate guide only.
Prices shown are subject to change without prior notice.

CONTENTS—ENGINE GROUP

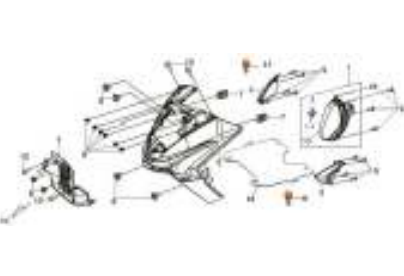
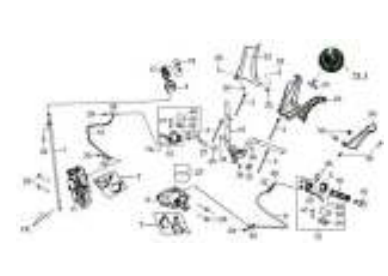
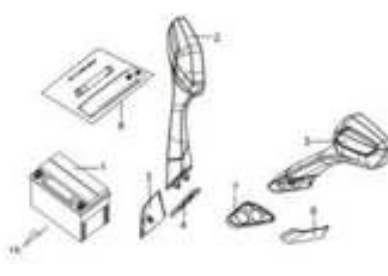


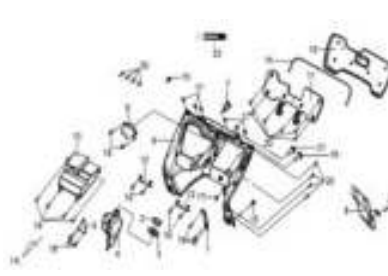
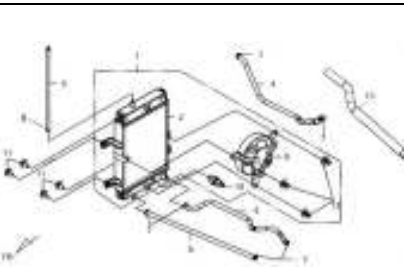
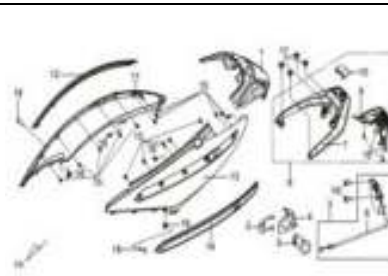
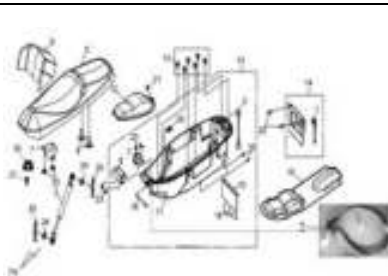
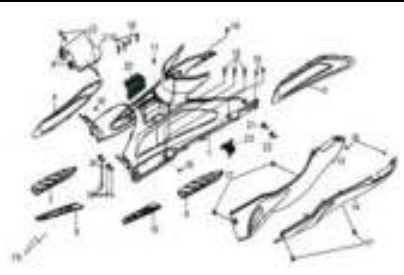
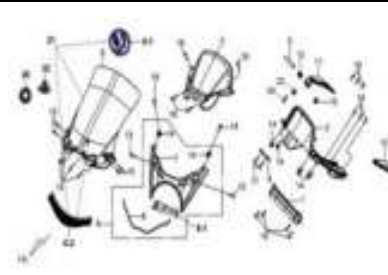
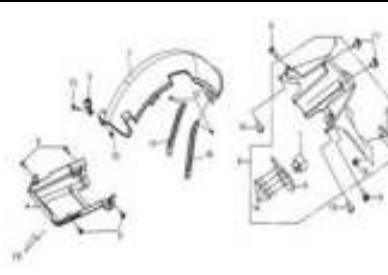
E13

CARBURETOR ASSY



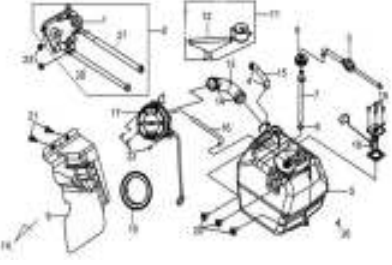
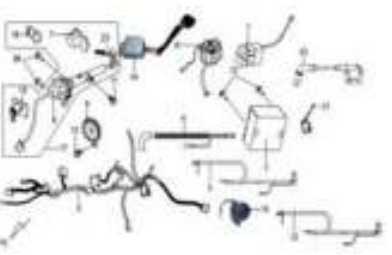
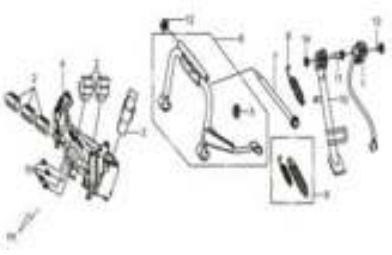
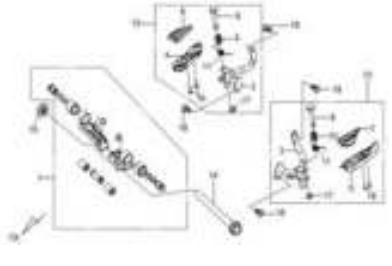
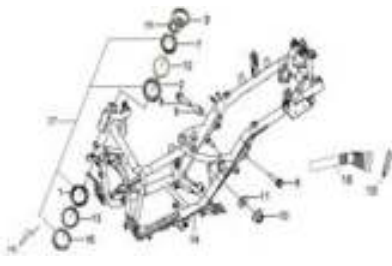

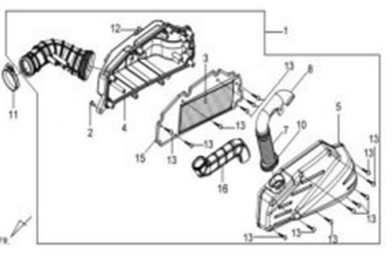
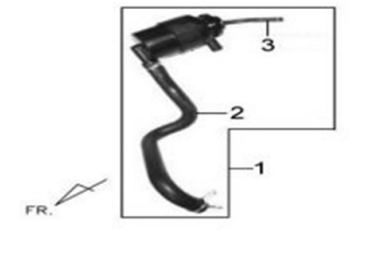
PRICE SHOWN IS PER PIECE. Product image price are approximate guide only.
Prices shown are subject to change without prior notice.

CONTENTS—FRAME GROUP

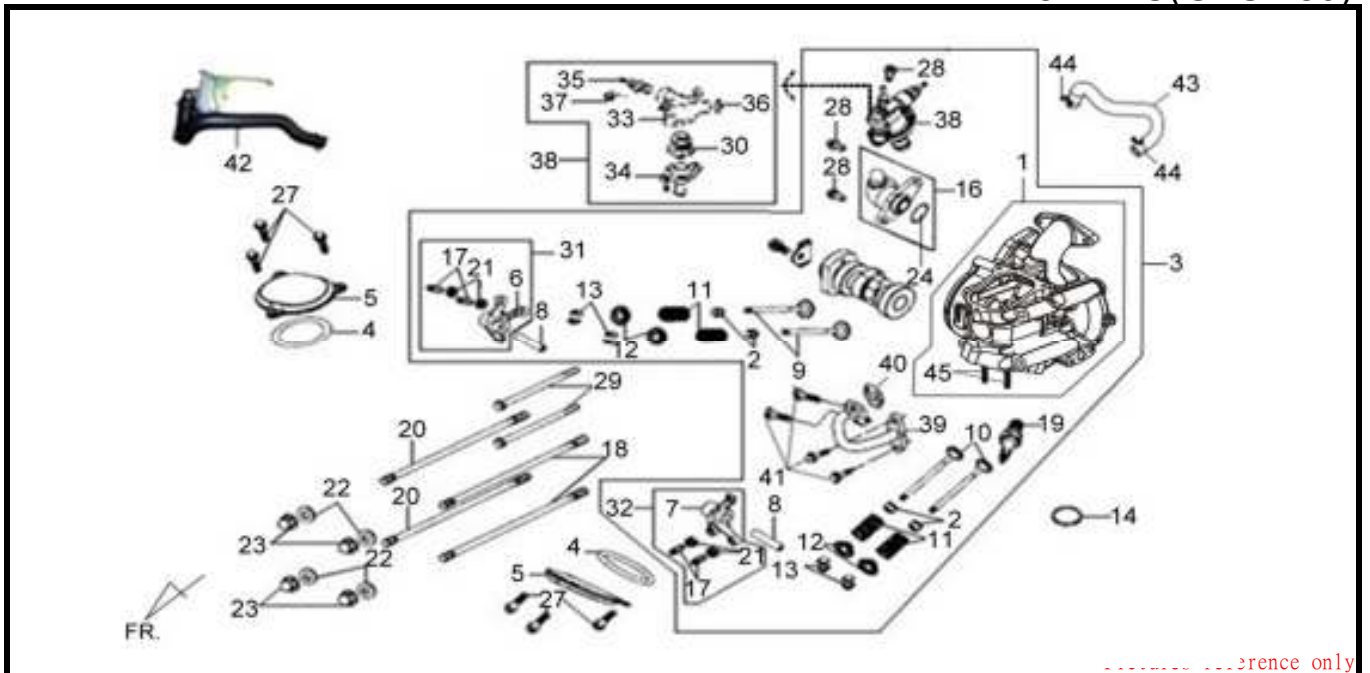
<p>F01 FRONT COVER & HEAD LIGHT</p> 	<p>F02 HANDLE & BRAKE ASSY</p> 	<p>F03 BACK MIRROR & BATTERY</p> 
<p>F04 FRONT WHEEL & FORK ASSY</p> 	<p>F05 REAR. WHEEL ASSY</p> 	<p>F06 INNER BOX & RESERVE TANK</p> 
<p>F07 RADIATOR ASSY.</p> 	<p>F08 BODY COVER & TAIL LIGHT</p> 	<p>F09 SEAT & LUGGAGE BOX</p> 
<p>F10 FLOOR PANEL & SIDE COVER</p> 	<p>F11 WIND SCREEN & METER VISOR</p> 	<p>F12 RR. FENDER ASSY</p> 

PRICE SHOWN IS PER PIECE. Product image price are approximate guide only.
Prices shown are subject to change without prior notice.

CONTENTS—FRAME GROUP

F13 FUEL TANK ASSY	F14 WIRE HARNESS & ELECTRIC PART	F15 MAIN STAND & FR. COVER STAY
		
F16 PILLION STEP	F17 FRAME BODY	F18 MUFFLER ASSY
		
F19 AIR CLEANER	F20 A.I.C.V. UNIT	
		

PRICE SHOWN IS PER PIECE. Product image price are approximate guide only.
 Prices shown are subject to change without prior notice.



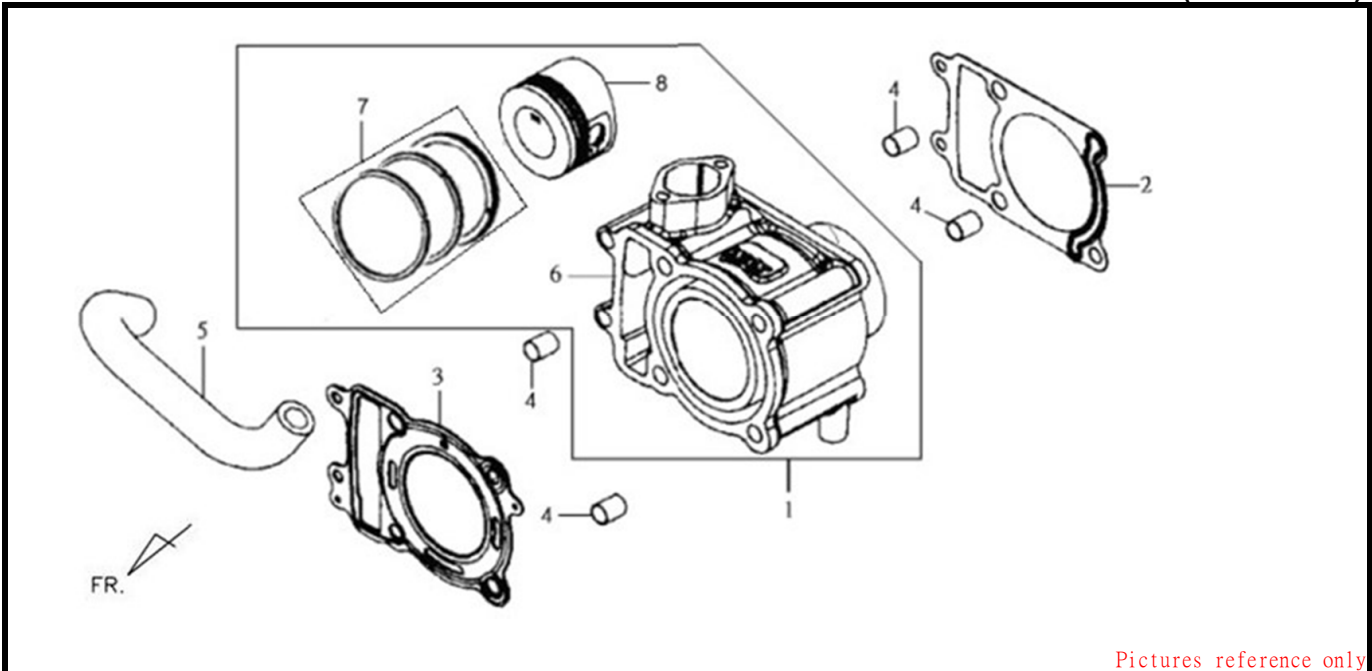
PARTS NUMBER	SELLING PRICE (RM/PCS)	DESCRIPTION	QTY	EFFECTIVE DATE	A P P L Y
1 12200-H9A-010	610.10	CYLINDER HEAD COMP	1		
1 12200-H9A-017	610.10	CYLINDER HEAD COMP	1	2013/9/16	N
1-1 12203-H9A-300		EX. VALVE SEAT	2		
1-1 12203-HE1-300	27.50	EXH.VALVE SEAT	2	2012/11/19	Y
2 12209-H6B-900	6.90	VALVE STEM SEAL	1		
3 1220A-HTA-000	1405.40	CYLINDER HEAD ASSY	1		
4 12362-H9A-000	2.00	TAPPET ADJ.HOLE CAP GASKET	2		
5 12361-H9A-000	13.70	TAPPER ADJ. HOLE CAP	2		
6 14431-H9A-000-F2	88.30	IN. VALVE ROCKER ARM	1		
7 14441-H9A-000-F2	88.30	EX. VALVE ROCKER ARM	1		
8 14451-H6B-000	7.90	IN. ROCKER ARM SHAFT	2		
9 14711-H9A-000	29.30	INLET VALVE	2		
9 14711-HNS-000	24.30	INLET VALVE	2	2011/2/14	N
9 14711-LDA-000	30.80	INLET VALVE	2	2013/9/16	N
10 14721-H9A-000	49.80	EXHAUST VALVE	2		
10 14721-LDA-000	51.40	EXHAUST VALVE	2	2013/9/16	N
11 14751-H6B-000	4.10	VALVE OUTER SPRING	4		
12 14771-H6B-000	8.60	VALVE SPRING RETAINER	4		
13 14781-M9Q-000-A	9.80	VALVE COTTER SET(1SET/4PCS)	2		
14 18291-H9A-000	6.90	EXHAUST PIPE GASKET	1		
16 1931A-H9A-000	32.50	THERMOSTAT CASE PIPE ASSY	1		
17 90012-M9Q-000	4.10	TAPPET ADJUSTING SCREW	4		

PRICE SHOWN IS PER PIECE. Product image price are approximate guide only.
 Prices shown are subject to change without prior notice.

18	90031-HLK-000	7.50	CYL. STUD BOLT A	2		
19	1PCR8E-3	29.00	PLUG CR8E	1		
20	90032-HLK-000	7.50	CYLINDER STUD BOLT B	2		
21	90206-HLK-000	3.30	TAPPET ADJUSTING NUT	4		
22	90442-HLK-000	1.00	SEALING WASHER 9MM	4		
23	90443-HLK-000	1.70	CAP NUT 9MM	4		
24	91301-H9A-000	1.00	O-RING 19.8X2.4	1		
27	96001-06016-08	1.00	FLANGE BOLT 6X16	6		
28	96001-06020-08	1.10	FLANGE BOLT SH 6X20	3		
29	96001-06095-08	1.00	SH FLANGE BOLT 6X95	2		
30	19300-H01-000	108.00	THERMOSTAT ASSY.	1		
31	1443A-H9A-000	99.40	IN. VALVE ROCKER ARM ASSY	1		
31	1443A-LDA-000	92.50	IN. VALVE ROCKER ARM ASSY	1	2013/9/16	N
32	1444A-H9A-000	99.40	EX. VALVE ROCKER ARM ASSY	1		
32	1444A-LDA-000	92.50	EX. VALVE ROCKER ARM ASSY	1	2013/9/16	N
33	19310-KV7-900	19.50	THERMOSTAT CASE COMP	1		
34	19315-HHA-000	10.20	THERMOSTAT COVER	1		
35	37750-PC1-004	45.10	THERMO UNIT ASSY	1		
36	91301-KV7-671-M1	0.80	O-RING 14.8X1.9	1		
37	96001-06016-08	1.00	FLANGE BOLT 6X16	1		
38	1930A-HHA-000	157.90	THERMOSTAT CASE ASSY	1		
39	18647-HTA-000	29.10	AIR PIPE COMP	1		
40	18654-N14-000	0.80	AIR PIPE GASKET	1		
41	93402-06016-08	0.90	WASHER BOLT 6X16	4		
42	1860A-HTA-000	49.80	REED VALVE SET	1		
43	19320-HTA-000	5.50	THERMOSTAT CASE TUBE ASSY	1		
44	95002-40730-08	2.50	TUBE CLAMP D7.3	2		
45	90032-M92-300	1.00	SPECIAL STUB BOLT 32MM	2		

※ Please check the color & stripe information according to the color index !

PRICE SHOWN IS PER PIECE. Product image price are approximate guide only.
Prices shown are subject to change without prior notice.

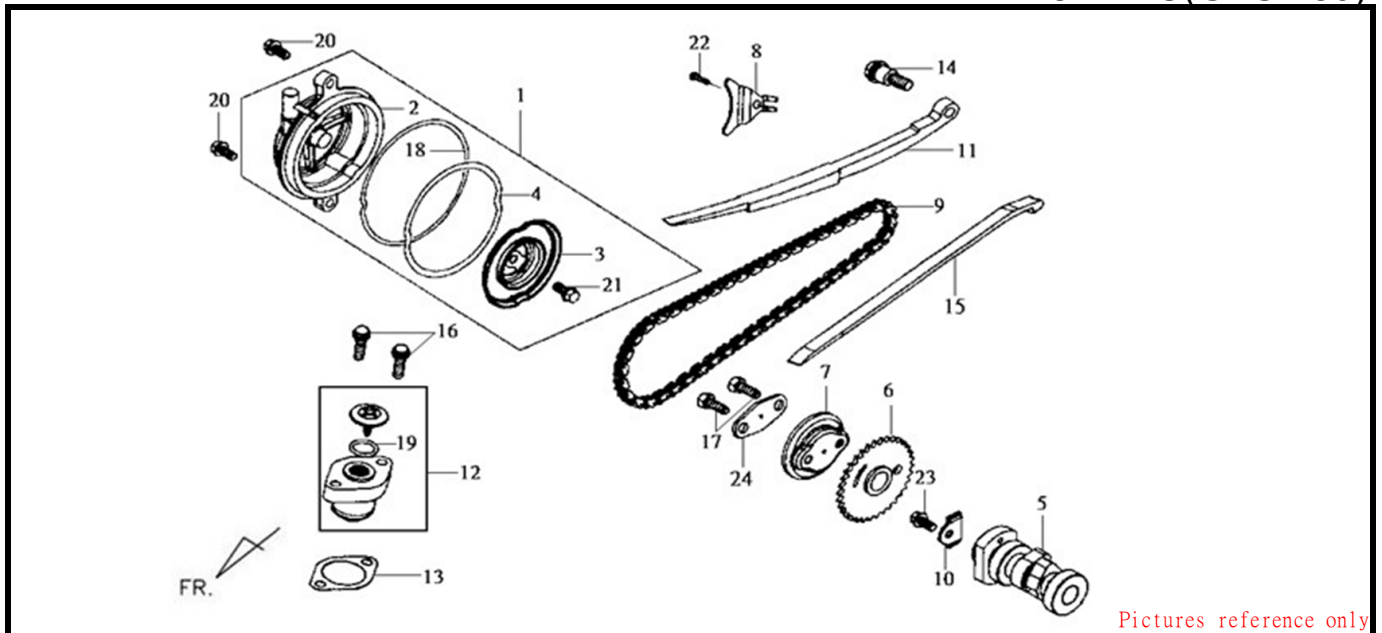


Pictures reference only

PARTS NUMBER		SELLING PRICE (RM/PCS)	DESCRIPTION	QTY	EFFECTIVE DATE	APP L Y
1	12100-HLA-010-A	525.00	CYLINDER ASSY	1		
2	12191-HLK-000	5.40	CYLINDER GASKET	1		
3	12251-HLK-010	28.10	CYLINDER HEAD GASKET	1		
4	90704-HLK-000	1.70	DOWEL PIN 11*14	4		
5	19502-H9A-000	13.70	WATER HOSE B	1		
6	12100-HLA-010	413.80	CYLINDER COMP.	1		
7	13010-HLA-000	51.40	PISTON RING SET	1		
8	13101-HLA-000	56.60	PISTON COMP.	1		

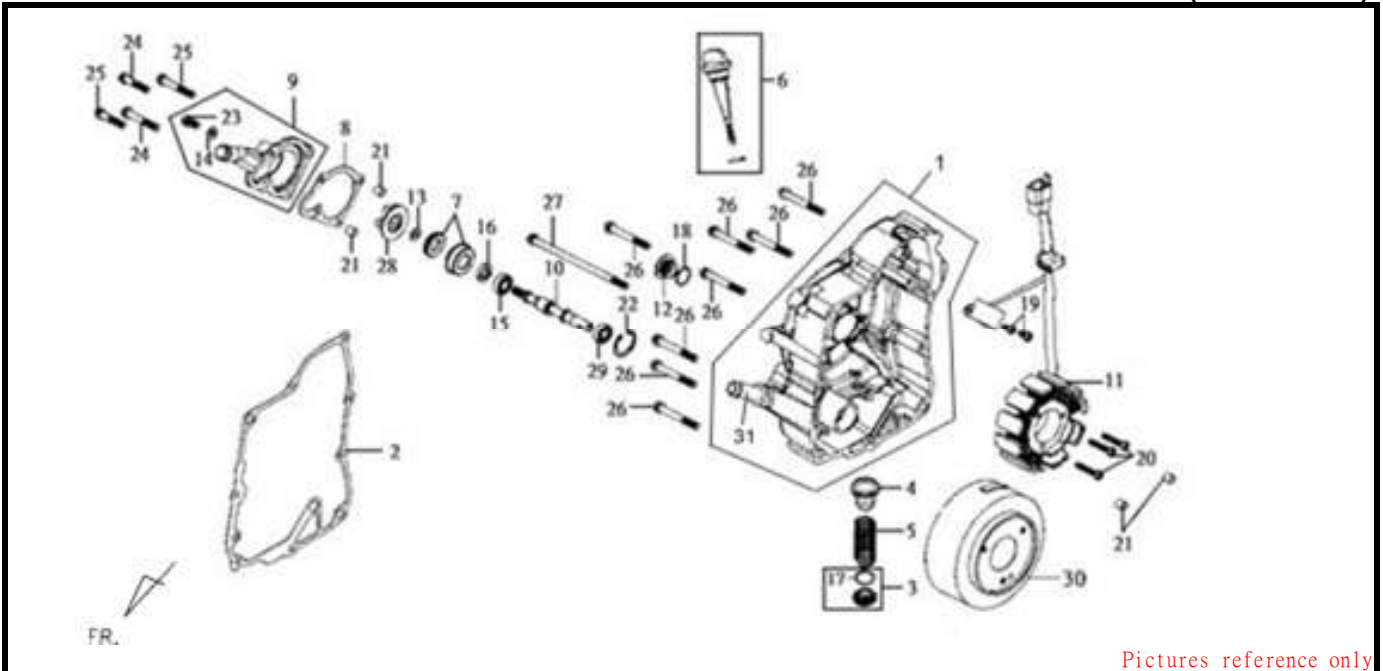
※ Please check the color & stripe information according to the color index !

PRICE SHOWN IS PER PIECE. Product image price are approximate guide only.
Prices shown are subject to change without prior notice.



PARTS NUMBER	SELLING PRICE (RM/PCS)	DESCRIPTION	QTY	EFFECTIVE DATE	APPLY
1 12300-H9A-000	66.80	CYL. HEAD SIDE COVER ASSY	1		
2 12310-H9A-000	42.90	CYL. HEAD SIDE COVER	1		
3 12320-M36-000	5.80	COLLECTOR COMP.	1		
4 12351-M36-000	2.00	O-RING 64*3.5MM	1		
5 14100-H9A-000	164.50	CAM SHAFT COMP.	1		
5 14100-LDA-000	175.00	CAM SHAFT COMP	1	2013/9/16	N
6 14105-A31-000	16.90	CAM SPROCKET	1		
7 14108-M36-000	2.80	CENTRIFUGAL DISK	1		
8 14151-H9A-000	2.50	CAM CHAIN SETTING PLATE	1		
9 1C14401-M92-000	66.90	CAM CHAIN	1		
10 14457-H9A-000	1.40	CAM SHAFT SETTING PLATE	1		
11 14510-H9A-000	42.90	CAM CHAIN TENSIONER	1		
12 14520-M9Q-000	52.10	TENSIONER LIFTER ASS'Y	1		
13 14523-M9Q-000	1.70	TENSIONER LIFTER GASKET	1		
14 14531-KJ9-000	2.50	CAM CHAIN TENSION. PIVOT	1		
15 14610-KV7-900	18.90	GUIDE COMP. CAM CHAIN	1		
16 90001-M9Q-000	0.80	SHF FLANGE BOLT 6*22	2		
17 90083-X01-000	0.80	LOCK BOLT 6MM	2		
18 91301-B06-000	3.10	O-RING 75*2.5	1		
19 91306-M9Q-000	0.80	O-RING 1.5*9.5	1		
20 95701-06020-08	1.30	BOLT, FLANGE 6*20	2		
21 96001-06010-08	0.80	SH. FLANGE BOLT 6*10	1		
22 96001-06012-08	0.80	FLANGE BOLT SH 6*12	1		
23 96001-06014-08	0.90	FLANGE BOLT SH 6*14	1		
24 14105-X01-000	2.80	CAM SPROCKET WASHER	1		

PRICE SHOWN IS PER PIECE. Product image price are approximate guide only.
Prices shown are subject to change without prior notice.



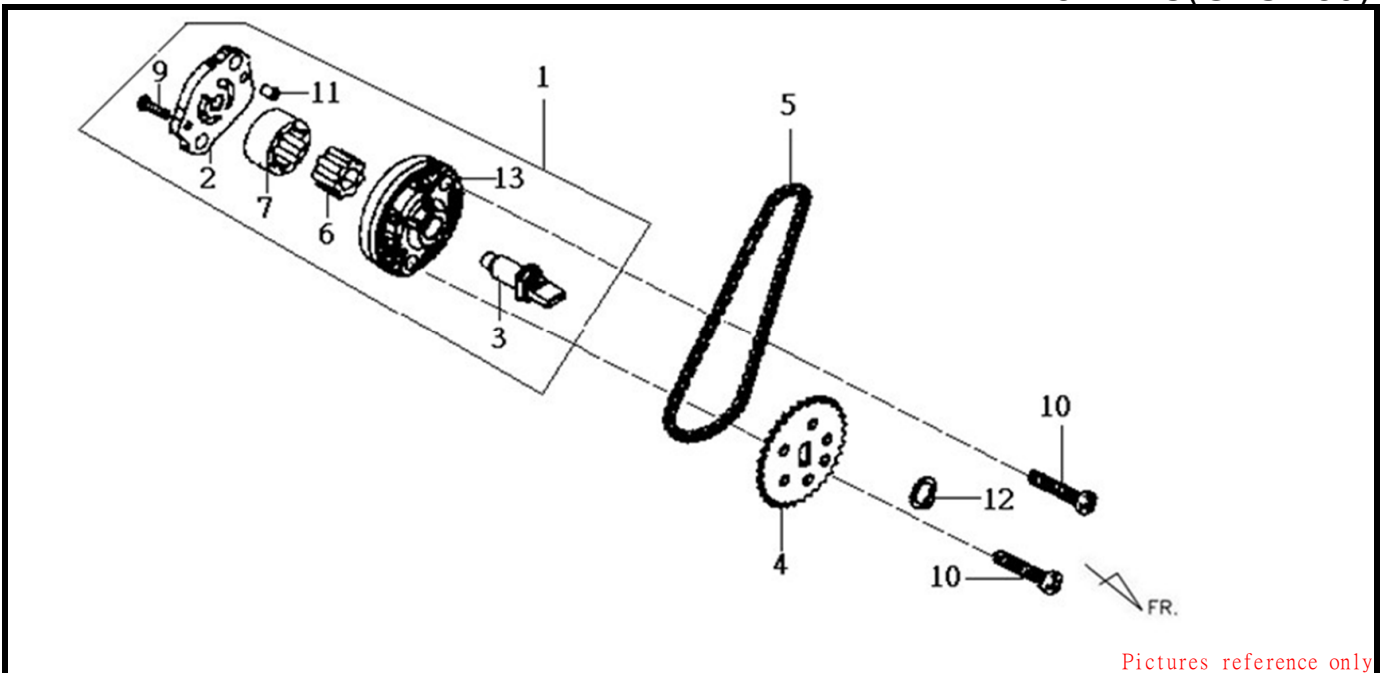
PARTS NUMBER	SELLING PRICE (RM/PCS)	DESCRIPTION	QTY	EFFECTIVE DATE	A P P L Y
1 11330-H9B-000	260.60	R. CASE COVER COMP.	1		
2 11394-H9A-000	5.50	R. CRANK CASE COVER GASK.	1		
3 1236A-V02-000	8.00	TAPPET ADJUST. HOLE CAP	1		
4 15421-M9Q-000		OIL FILLTER SCREEN	1		
4 15421-H66-000	10.20	OIL FILLTER SCREEN	1	2011/1/28	
4 15421-B9D-000	4.80	OIL FILLTER SCREEN	1	2011/7/27	
5 15426-GE1-920	1.30	OIL FILLTER SCREEN SPRING	1		
6 1565A-H9A-000	3.30	OIL LEVEL GAUGE ASS'Y	1		
7 19217-H9A-300	24.00	MECHANICAL SEAL	1		
8 19229-H9A-000	1.30	WATER PUMP GASKET	1		
9 1922A-HLA-000	19.90	WATER PUMP COVER ASS'Y	1		
10 19231-KJ9-010	34.40	WATER PUMP SHAFT	1		
11 31120-HTA-000	264.00	STATOR COMP.	1		
12 9008A-H9A-000	4.10	A. C. G. CAP 14MM	1		
13 90423-KJ9-000	0.80	WASHER 7.2*13*1.2	1		
14 90478-700-000	0.80	WASHER A 6MM	1		
15 91001-KJ9-005	17.10	RADIAL BALL BRG6901	1		
16 91205-KF0-003	4.10	OIL SEAL 12*20*5	1		
17 91302-M9Q-000	1.70	O RING 30.8M/M	1		
18 91303-377-000	1.00	O-RING 13.8*2.5	1		
19 93500-05016-0A	0.80	PAN SCREW 5*16MM	1		
20 93500-05035-0A	0.80	PAN SCREW 5*35	3		
21 94301-08140	1.00	DOWEL PIN 8*14	4		

PRICE SHOWN IS PER PIECE. Product image price are approximate guide only.
 Prices shown are subject to change without prior notice.

22	94520-26000	1.30	CIR CLI PIN 26MM	1		
23	96001-06010-08	0.80	SH. FLANGE BOLT 6*10	1		
24	96001-06022-00	1.00	FLANGE BOLT SH 6*22	2		
25	96001-06032-00	1.00	FLANGE BOLT SH 6*32	2		
26	96001-06050-08	1.00	SH. FLANGE BOLT 6*50MM	8		
27	96001-06125-00	1.30	FLANGE BOLT SH 6*125	1		
28	19215-HLA-000	10.20	WATER PUMP IMPELLER	1		
29	96100-60000-00	15.00	BALL BEARING 6000	1		
30	31110-HTA-000	254.50	FLYWHEEL COMP.	1		
31	11335-KJ9-300	4.70	WATER HOSE JOINT	1		

※ Please check the color & stripe information according to the color index !

PRICE SHOWN IS PER PIECE. Product image price are approximate guide only.
Prices shown are subject to change without prior notice.

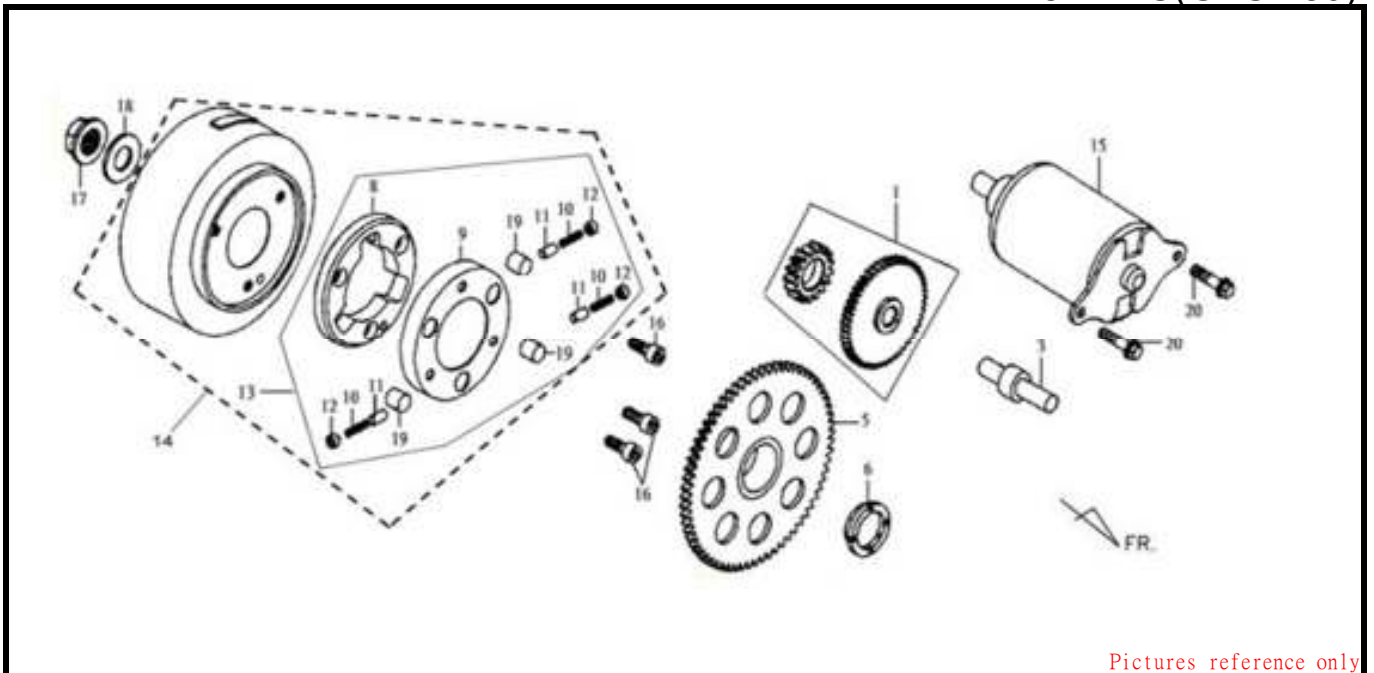


Pictures reference only

PARTS NUMBER	SELLING PRICE (RM/PCS)	DESCRIPTION	QTY	EFFECTIVE DATE	APPLY
1 15100-H9A-000	61.70	OIL PUMP ASS'Y	1		
2 15116-KJ9-000	27.40	OIL PUMP PLATE	1		
3 15132-H9A-000	10.20	OIL PUMP SHAFT	1		
4 15133-KM1-000	8.60	OIL PUMP DRIVEN SPROCKET	1		
5 1C15141-KJ9-003-E1	54.80	OIL PUMP CHAIN 25-46	1		
6 15331-H9A-000	4.50	OIL PUMP INNER ROTOR	1		
7 15332-H9A-000	4.50	OIL PUMP OUTER ROTOR	1		
9 93500-03012-1A	0.80	SCREW PAN 3*12	1		
10 93500-06030-0H	0.80	PAN SCREW 6*30	2		
11 94303-04065	1.00	DOWEL PIN 4*6.5	1		
12 94510-10000	0.80	EXTERNAL CIRCLIP 10	1		
13 15101-H9A-000		OIL PUMP BODY	1		

※ Please check the color & stripe information according to the color index !

PRICE SHOWN IS PER PIECE. Product image price are approximate guide only.
Prices shown are subject to change without prior notice.

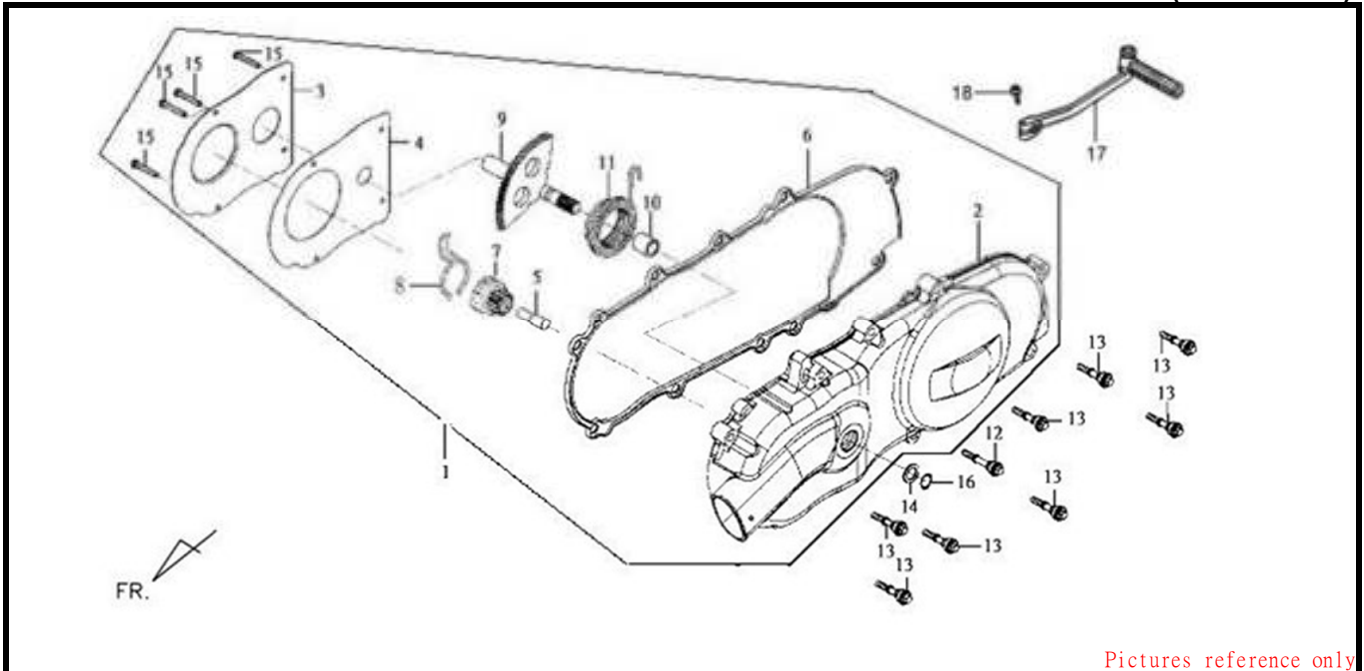


Pictures reference only

PARTS NUMBER	SELLING PRICE (RM/PCS)	DESCRIPTION	QTY	EFFECTIVE DATE	A P P L Y
1 28100-H9A-000	51.40	START. REDUCT. GEAR COMP	1		
3 28102-H9A-000	6.90	STA. REDUCT. GEAR SHAFT	1		
5 28110-H9A-000	81.50	START. CLUTCH GEAR COMP	1		
6 28115-H9A-000	13.70	START. DRIVEN GEAR COL.	1		
8 28121-M4Q-300	113.10	CLUTCH OUTER BODY	1		
9 28122-M4Q-300	6.90	CLUTCH OUTER COVER	1		
10 28125-426-000	0.80	CLUTCH FLANGE STARTING	3		
11 28126-M9Q-000	5.80	CLUTCH ROLLER SPG. CAP	3		
12 28129-M9Q-300	5.20	CLUTCH ROLLER SPG. STOPP.	3		
13 2812A-V01-000	113.10	START. CLUTCH OUTER ASS'Y	1		
14 3110A-HTA-000	257.10	A.C.G. FLYWHEEL ASSY	1		
15 31200-HLA-000	305.00	START MOTOR ASS'Y	1		
16 90004-M9Q-000	3.10	SOCKET BOLT 6*12	3		
17 90201-KR8-751-M1	4.80	FLANGE NUT 14MM	1		
18 90401-KJ9-000	2.80	THRUST WASHER 14*28*2	1		
19 91101-X06-000	2.40	ROLLER 10.2*11.3	3		
20 96001-06025-08	1.00	FLANGE BOLT SH 6*25	2		

※ Please check the color & stripe information according to the color index !

PRICE SHOWN IS PER PIECE. Product image price are approximate guide only.
Prices shown are subject to change without prior notice.

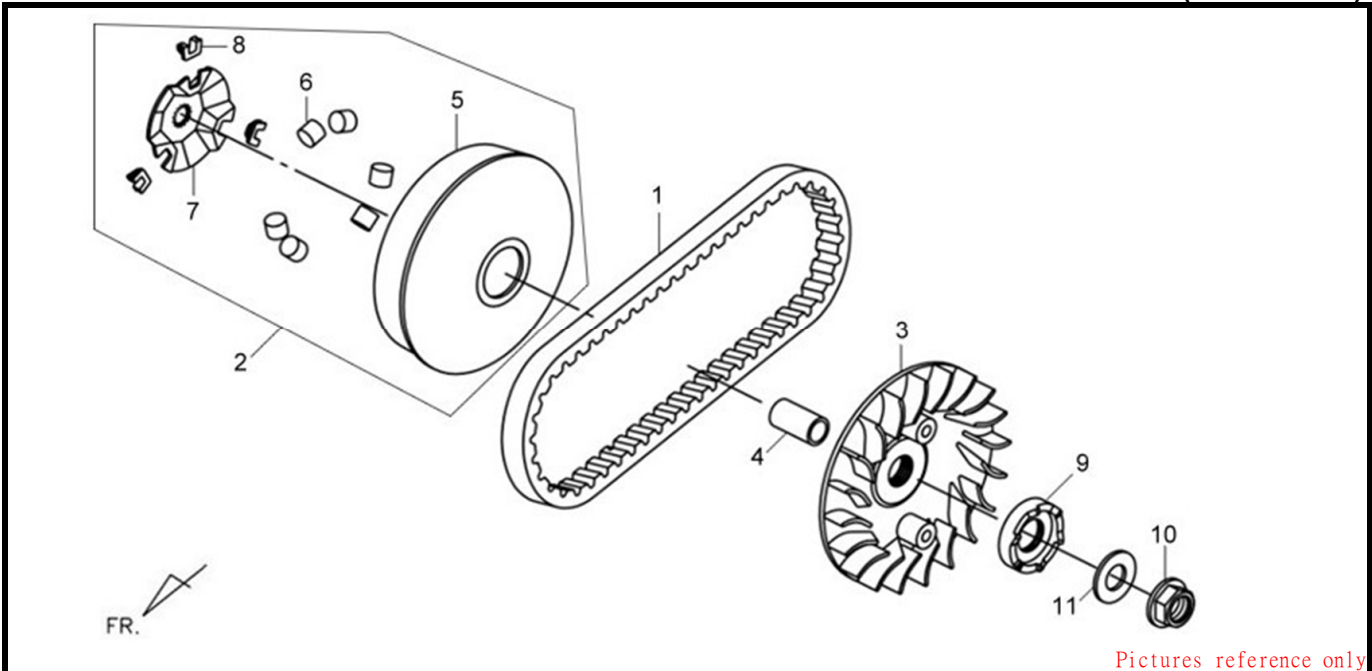


Pictures reference only

PARTS NUMBER	SELLING PRICE (RM/PCS)	DESCRIPTION	QTY	EFFECTIVE DATE	A P P L Y
1 11340-H9A-000	325.70	L. CRANK CASE COVER ASS'Y	1		
2 11341-H9A-000	246.80	L. CRANK CASE COVER	1		
3 11346-H9A-000	11.90	L. COVER PLATE	1		
4 11349-H9A-000	3.50	L. COVER PLATE GASKET	1		
5 11360-H01-300	9.80	KICK DRIVEN GEAR SHAFT	1		
6 11395-H9A-000	16.20	L. COVER GASKET	1		
7 28220-H01-000	36.00	KICK DRIVEN GEAR COMP	1		
8 28223-H01-000	3.80	START GEAR FRICTION SPG.	1		
9 28250-H01-000	44.60	KICK STARTER SPIND. COMP	1		
10 28253-G02-000	2.80	KICK SPINDLE BUSH	1		
11 28281-H9A-000	6.90	KICK RETURN SPRING	1		
12 9000A-M9Q-000	3.10	SPECIAL BOLT 6*57 ASS'Y	1		
13 9000B-M9Q-000	3.10	SPECIAL BOLT 6*37 ASS'Y	8		
14 90451-M7Q-000	1.70	KICK SPINDLE WASHER	1		
15 93500-05012-0H	0.80	PAN SCREW 5*12MM	4		
16 94511-14000	1.00	EX. CIR-CLIP 14MM	1		
17 28300-HKA-000	34.40	KICK STARTER ARM	1		
18 95701-06022-07	1.00	FLANGE BOLT 6*22	1		

※ Please check the color & stripe information according to the color index !

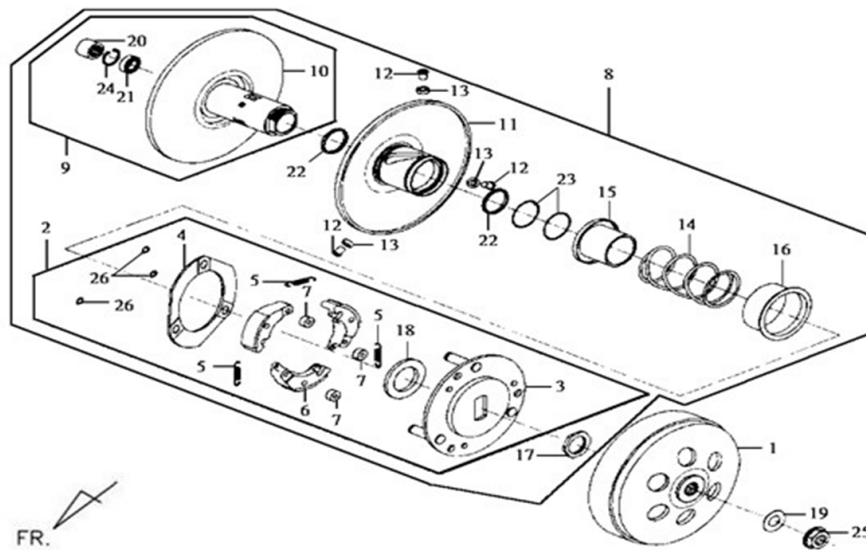
PRICE SHOWN IS PER PIECE. Product image price are approximate guide only.
Prices shown are subject to change without prior notice.



PARTS NUMBER		SELLING PRICE (RM/PCS)	DESCRIPTION	QTY	EFFECTIVE DATE	APPLY
1	1B01H9A01	115.00	DRIVE BELT 818.86X19X30	1		
2	22000-H9B-000	137.10	MOVABLE DRIVE FACE ASSY.	1		
3	22102-RA1-000	52.10	DRIVE FACE	1		
4	22105-H9A-000	17.10	DRIVE FACE BOSS	1		
5	22110-RA1-010	68.50	MOVABLE DRIVE FACE COMP	1		
5	22110-LVA-000	61.70	MOVABLE DRIVE FACE COMP	1	2009/7/1	N
6	22121-X06-900-A	30.80	WEIGHT ROLLER SET(13.4g)6pcs/set	1		
7	22131-H9A-000	17.10	RAMP PLATE	1		
8	22132-HLA-000-A	9.60	SLIDE PIECE SET(3pcs/set)	1		
9	28231-H01-000	10.20	KICK RATCHET	1		
10	90201-KR8-751-M1	4.80	FLANGE NUT 14MM	1		
11	90401-KJ9-000	2.80	THRUST WASHER 14X28X2	1		

※ Please check the color & stripe information according to the color index !

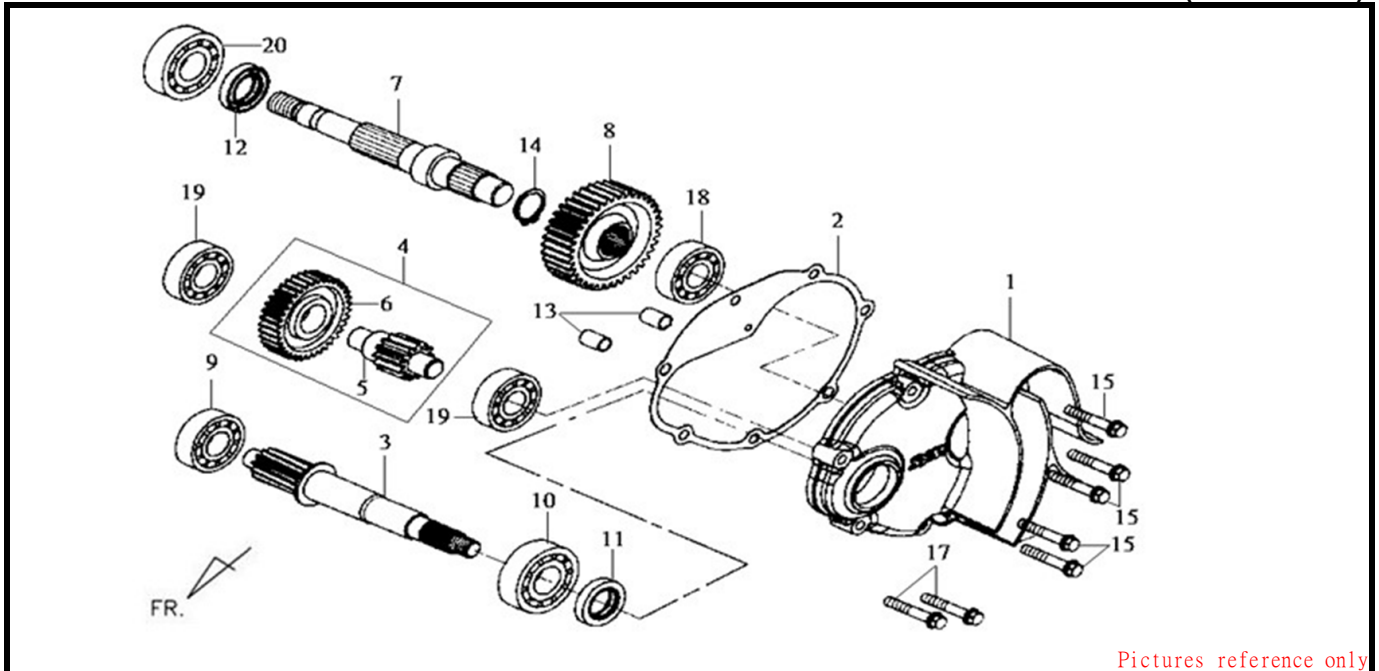
PRICE SHOWN IS PER PIECE. Product image price are approximate guide only.
 Prices shown are subject to change without prior notice.



Pictures reference only

PARTS NUMBER	SELLING PRICE (RM/PCS)	DESCRIPTION	QTY	EFFECTIVE DATE	A P P L Y
1 22101-X06-000	89.90	CLUTCH OUTER	1		
2 22300-H9B-000	154.80	DRIVE PLATE ASS'Y	1		
3 22350-M4Q-000	30.80	DRIVE PLATE COMP	1		
4 22361-M9Q-000	6.90	CLUTCH SIDE PLATE	1		
5 22401-X06-000	3.30	CLUTCH SPRING	1		
6 22530-H93-000-A	102.90	CLUTCH WEIGHT(3 PCS 1 SET)	1		
7 22804-M9Q-000	3.10	CLUTCH DAMPER RUBBER	1		
8 23010-H9B-000	452.20	DRIVEN PULLEY ASS'Y	1		
9 23200-M4Q-000	190.10	DRIVEN FACE ASS'Y	1		
10 23210-M4Q-000	65.20	DRIVEN FACE COMP.	1		
11 23220-H9A-000	97.70	MOVA. DRIVEN FACE COMP.	1		
12 23225-M9Q-000	1.30	ROLLER GUIDE PIN	1		
13 23226-M9Q-000	1.30	ROLLER GUIDE	1		
14 23233-KN7-670	13.70	DRIVEN FACE SPRING	1		
15 23237-KG8-000	7.10	COLLAR SEAL	1		
16 23238-M9Q-000	6.90	SPRING COLLAR	1		
17 90202-M9Q-000	3.30	SPECIAL NUT 28MM	1		
18 90403-KN7-670	2.00	THRUST WASHER 28*44*1.5	1		
19 90441-KV7-900	4.10	WASHER 12.2*29*2.5	1		
20 91001-GY6-900-M1	26.50	NEEDLE BRG 20*29*18	1		
21 91002-GA7-701	27.10	RADIAL BALL BRG. 6902U	1		
22 91211-M8Q-000	10.90	DRIVEN FACE SEAL 34*41*4	2		
23 91384-M9Q-000	2.50	O-RING 38.8*1.9	2		
24 94520-28000	1.70	CIR. CRIP 28MM	1		
25 94050-12000	2.40	FLANGE NUT 12MM	1		
26 90605-166-720	1.30	E-RING 7MM	3		

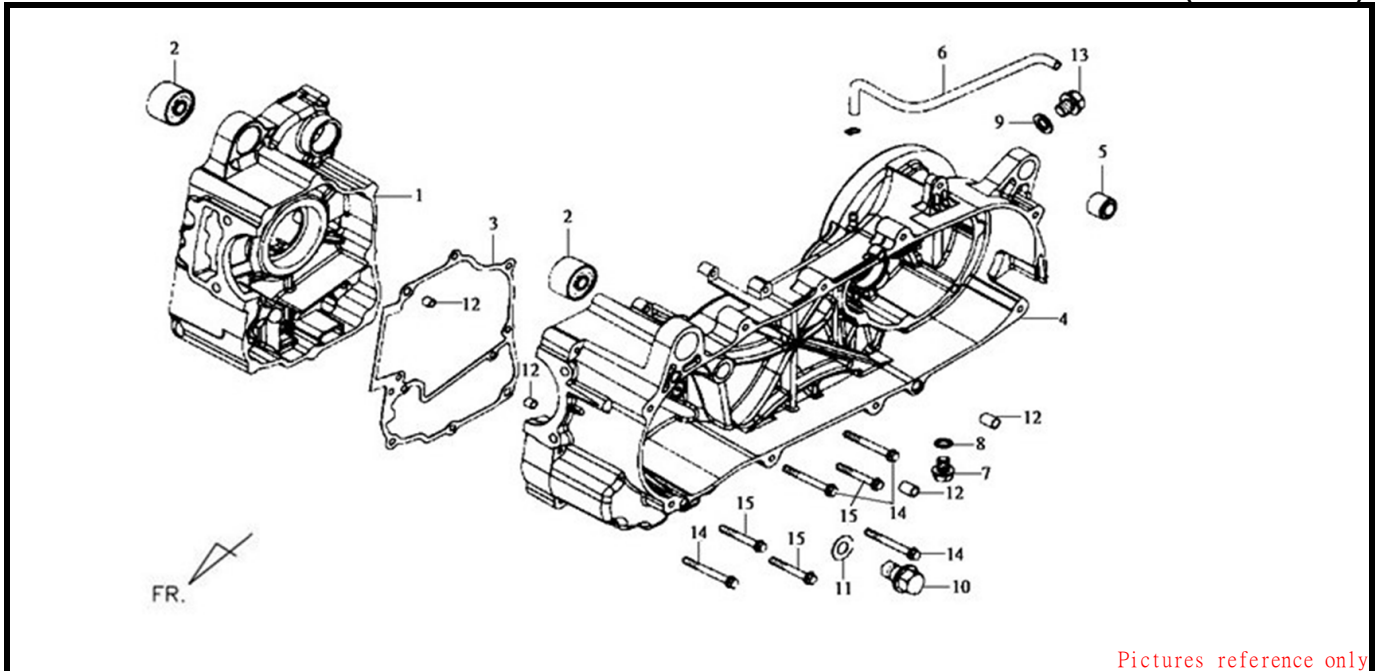
PRICE SHOWN IS PER PIECE. Product image price are approximate guide only.
 Prices shown are subject to change without prior notice.



PARTS NUMBER		SELLING PRICE (RM/PCS)	DESCRIPTION	QTY	EFFECTIVE DATE	A P P L Y
1	21301-H9A-000	106.20	MISSION COVER	1		
2	21395-M92-000	5.50	MISSION COVER GASKET	1		
3	23411-H9B-010	96.00	DRIVE SHAFT	1		
4	23420-M92-000	99.40	COUNTER GEAR COMP.	1		
7	23431-H9A-000	101.10	FINAL SHAFT	1		
8	23432-M92-000	85.70	FINAL GEAR	1		
9	91003-M8Q-000	34.40	RADIAL BALL BRG. 6301TMB	1		
10	91104-KN7-670	54.80	RADIAL BALL BRG. 6204TMB	1		
11	91202-KJ9-003	2.80	OIL SEAL 20*32*6	1		
12	91255-GE0-003	3.10	OIL SEAL 27*42*7	1		
13	94301-08140	1.00	DOWEL PIN 8*14	2		
14	94510-20000	1.00	CIRCLIP EX. 20	1		
15	96001-06030-08	1.00	FLANGE SH BOLT 6*30	5		
17	96001-06035-08	1.00	FLANGE BOLT SH 6*35	2		
18	96100-62033-10	12.10	BALL RADIAL BRG. 6203	1		
19	96100-63013-00	12.30	RADIAL BALL BRG. 6301	2		
20	96150-60043-10	24.00	RADIAL BALL BEARING 6004	1		

※ Please check the color & stripe information according to the color index !

PRICE SHOWN IS PER PIECE. Product image price are approximate guide only.
Prices shown are subject to change without prior notice.

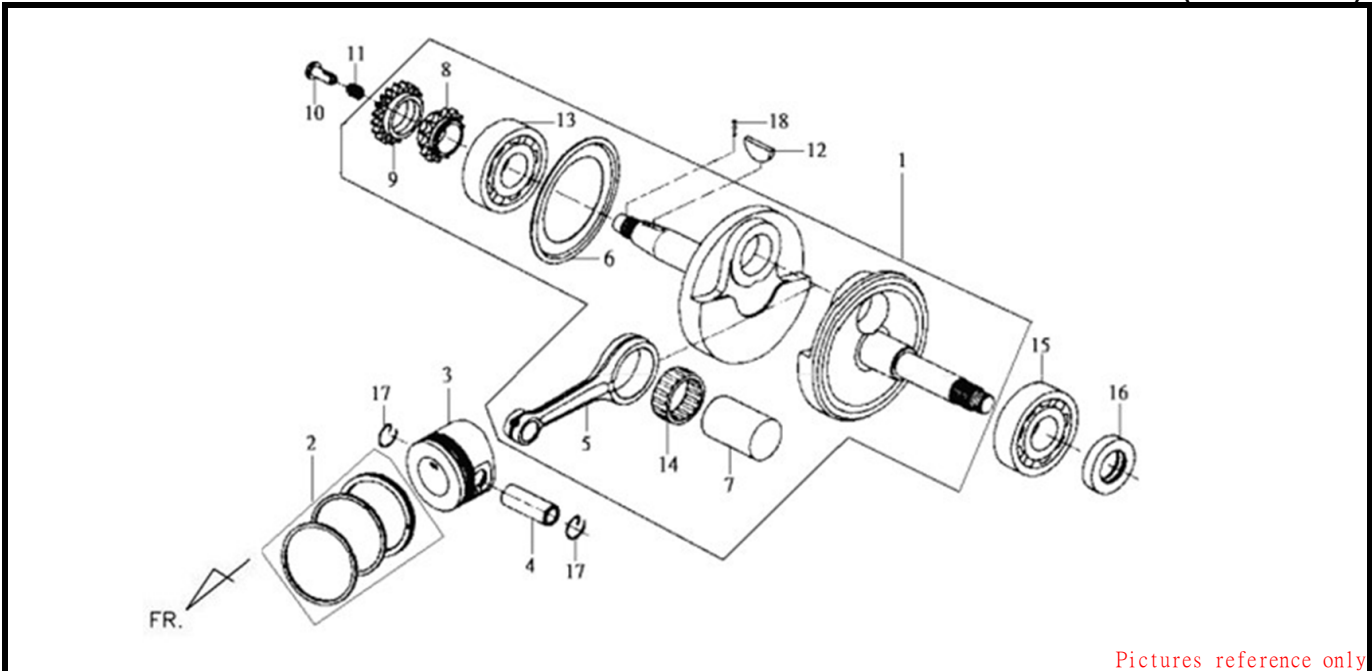


Pictures reference only

PARTS NUMBER	SELLING PRICE (RM/PCS)	DESCRIPTION	QTY	EFFECTIVE DATE	A P P L Y
1 11100-H9B-010	449.90	R. CRANK CASE COMP.	1		
2 11102-H9A-300	5.50	ENG. HANGER RUB. BUSH	2		
3 11191-H9A-000	5.00	CRANK CASE GASKET	1		
4 11200-H9B-010	719.90	L. CRANK CASE COMP.	1		
5 11203-GC7-300	3.80	RR. CUSH. UN. RUBBER BUSH	1		
6 11221-H6B-000	4.30	MISSION BREATHER TUBE	1		
7 90103-KN8-000	1.00	SPECIAL BOLT 8MM	1		
8 90474-M9Q-000	0.40	WASHER 8MM	1		
9 90481-M9Q-000	0.80	PLAIN 10.2MM WASHER	1		
10 90002-H94-000	2.00	DRAIN PLUG BOLT 12MM	1		
11 94109-12000	1.00	PLUG DRAIN WASHER 12MM	1		
12 94301-08140	1.00	DOWEL PIN 8*14	4		
13 95701-10012-00	0.70	FLANGE BOLT 10*12MM	1		
14 96001-06055-00	1.70	FLANGE BOLT ,SH 6*55MM	4		
15 96001-06050-08	1.00	SH. FLANGE BOLT 6*50MM	3		
15 96001-06050-00	0.80	SH. FLANGE BOLT 6*50MM	3	2013/7/7	

※ Please check the color & stripe information according to the color index !

PRICE SHOWN IS PER PIECE. Product image price are approximate guide only.
Prices shown are subject to change without prior notice.

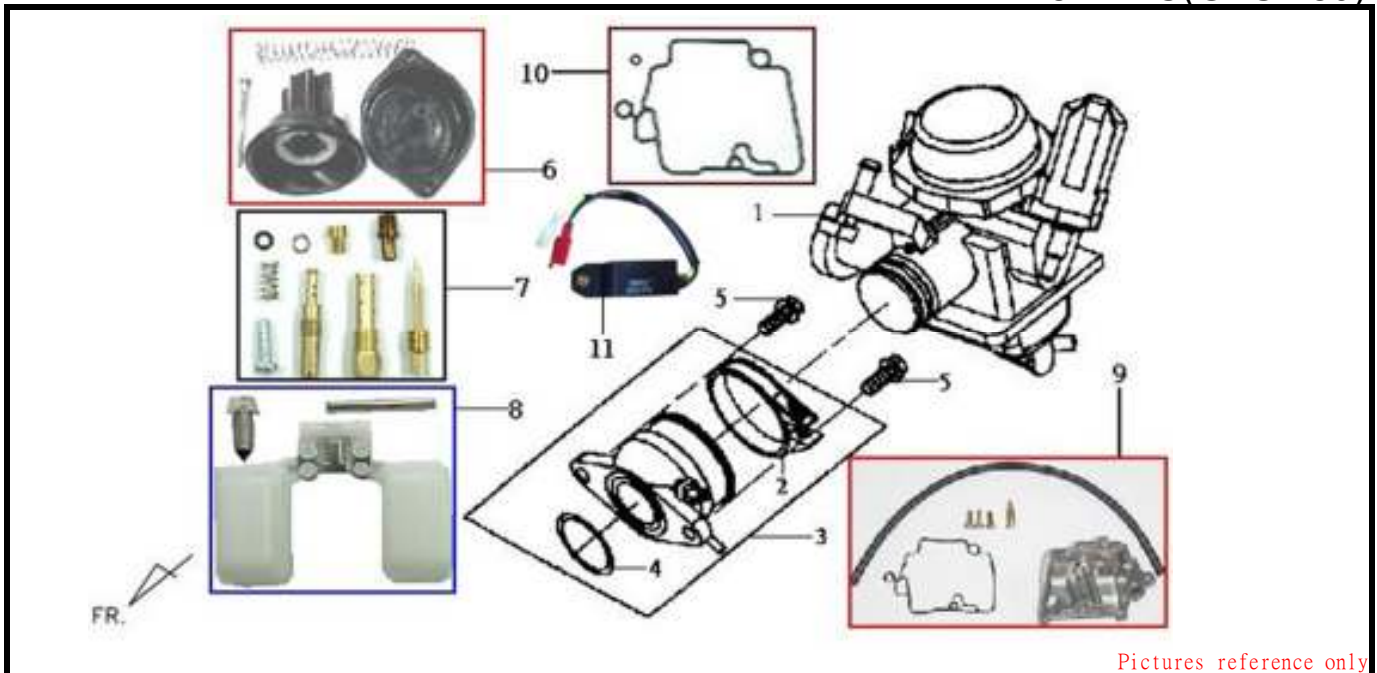


Pictures reference only

PARTS NUMBER	SELLING PRICE (RM/PCS)	DESCRIPTION	QTY	EFFECTIVE DATE	APPLY
1 13000-HTA-000	473.00	CRANK SHAFT COMP	1		
2 13010-HLA-000	51.40	PISTON RING SET	1		
3 13101-HLA-000	56.60	PISTON	1		
4 13111-M4Q-000	10.20	PISTON PIN 15X43M/M	1		
5 13201-HLA-000	107.00	CONNECTING ROD	1		
6 13371-H9A-300	3.30	R. CRANK SIDE PLATE	1		
7 13381-HGC-000	22.30	CRANK PIN	1		
8 14311-H9A-300	19.20	TIMING SPROCKET	1		
9 15134-KN7-670		OIL PUMP DRIVE SPROCKET	1		
9 15134-HHA-000	20.60	OIL PUMP DRIVE SPROCKET	1	2007/12/3	Y
10 15441-149-000	5.20	OIL THROUGH	1		
11 15447-149-000	0.80	OIL THROUGHESPRING	1		
12 90701-HB6-010	4.80	WOODRUFF KEY 25X14X4	1		
13 91001-H9A-000	32.50	RADIAL BALL BRG. 6305JR2	1		
14 91101-HLA-000	58.30	NEEDLE BRG. PK30X38X13.8X1	1		
15 91002-H9A-000	49.80	BALL BRG. TMB3/28X2JR2V4	1		
16 91261-415-003	4.10	OIL SEAL 25X40X8	1		
17 94601-15000	0.80	PISTON PIN CLIP 15MM	2		
18 96220-20118	0.80	ROLLER 2X11.8	1		

※ Please check the color & stripe information according to the color index !

PRICE SHOWN IS PER PIECE. Product image price are approximate guide only.
Prices shown are subject to change without prior notice.

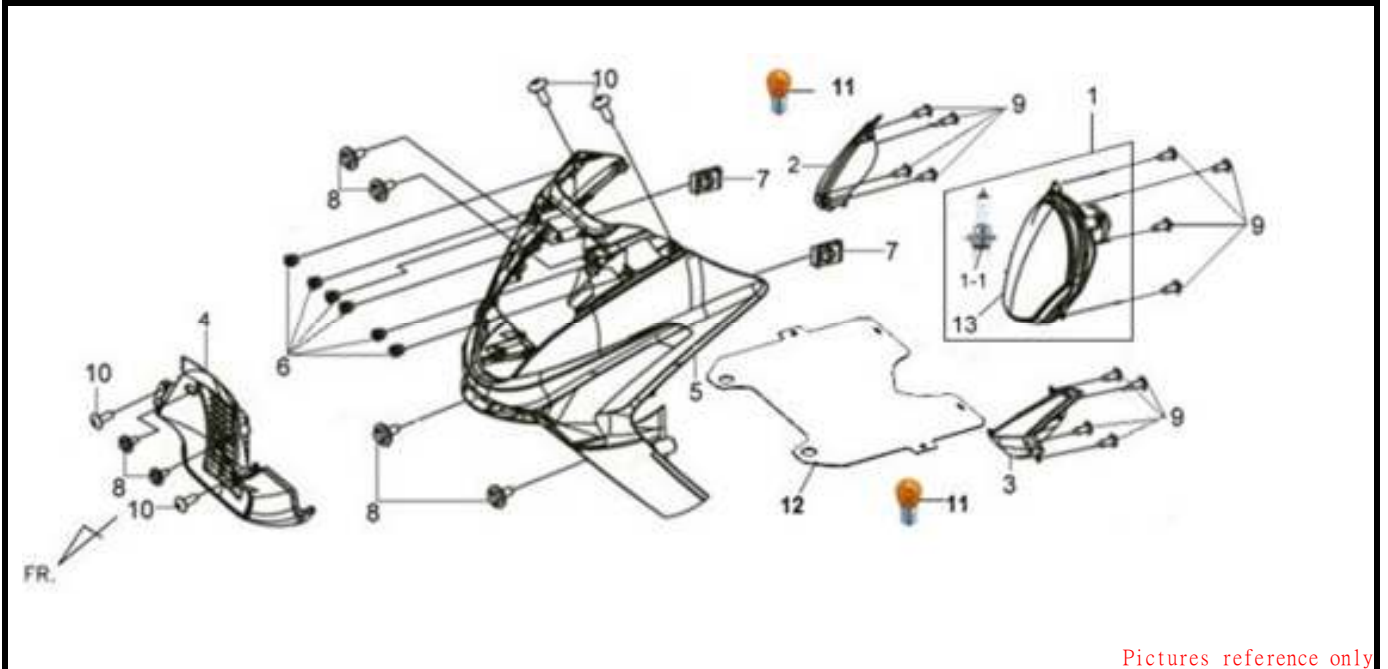


Pictures reference only

PARTS NUMBER		SELLING PRICE (RM/PCS)	DESCRIPTION	QTY	EFFECTIVE DATE	A P P L Y
1	16100-HTA-000-01	839.80	CARBURETOR ASS'Y	1		
2	16219-R02-000	4.10	INSULATOR BAND	1		
3	1711A-HTA-000	37.70	INLET PIPE ASS'Y	1		
4	91301-028-000	1.00	O-RING 27*2.0	1		
5	93500-05028-0G	0.80	PAN SCREW 5*28	2		
6	HTA-1	120.00	CARB. NEEDLE FIX SET	1		
7	HTA-2	50.80	CARB. SCREW FIX SET	1		
8	HTA-3	27.50	CARB. FLOAT FIX SET	1		
9	HTA-4	82.30	CARB. F.C.B FIX SET	1		
10	HTA-5	6.80	CARB. GASKET FIX SET	1		
11	16101-HTA-000	75.40	THERMOMETER SWITCH UNIT	1		

※ Please check the color & stripe information according to the color index !

PRICE SHOWN IS PER PIECE. Product image price are approximate guide only.
Prices shown are subject to change without prior notice.



Pictures reference only

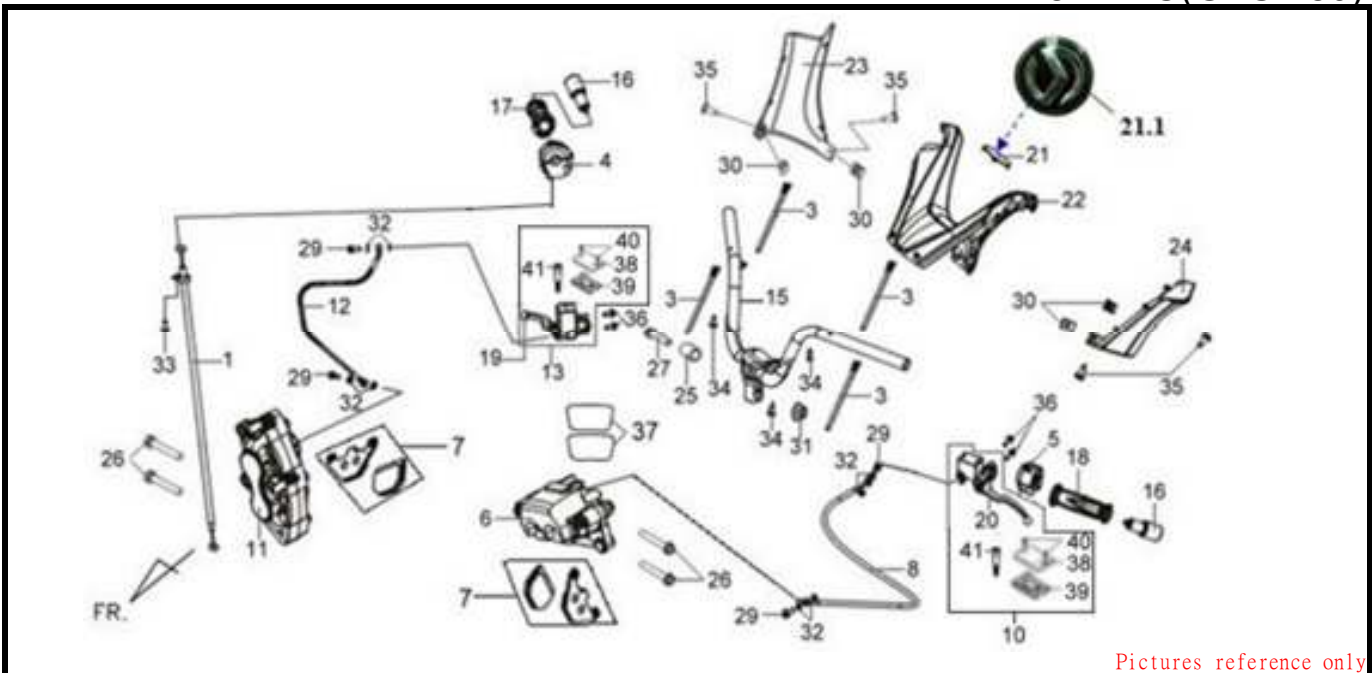
PARTS NUMBER	SELLING PRICE (RM/PCS)	DESCRIPTION	QTY	EFFECTIVE DATE	APPLY
1 33100-HMA-000	548.40	HEAD LIGHT ASSY	1		
1-1 34901-HMA-000	63.40	HEAD LIGHT BULB H7/55W	2		
2 33400-HTA-000	253.70	R. FR. WINKER	1		
2-1 33410-HTA-000	16.10	FR.R.WINKER&FOGGY SOCKET COMP	1		
3 33450-HTA-000	253.70	L. FR. WINKER	1		
3-1 33460-HTA-000	16.10	FR.L.WINKER&FOGGY SOCKET COMP	1		
4 64300-HMA-000-BZ		FR UNDER SPOILER BU-283S-D	1		
4 64300-HMA-000-BJ	126.80	FR UNDER SPOILER BU-283S	1		
4 64300-HMA-000-IZ		FR UNDER SPOILER GY-430S-D	1		
4 64300-HMA-000-KZ		FR UNDER SPOILER BK-231P-D	1		
4 64300-HMA-000-QZ		FR UNDER SPOILER S-421S-D	1		
4 64300-HMA-000-SO	126.80	FR UNDER SPOILER S-421S	1		
4 64300-HMA-000-KX	126.80	FR UNDER SPOILER BK-231P	1		
4 64300-HMA-000-IF	126.80	FR UNDER SPOILER GY-430S	1		
4 64300-HMA-000-QU	123.40	FR UNDER SPOILER WH-300P	1		
5 64301-HMA-010-BZ		FR. COVER(BU-283S-D)	1		
5 64301-HMA-010-BJ	360.90	FR COVER BU-283S	1		
5 64301-HMA-010-IZ		FR. COVER(GY-430S-D)	1		
5 64301-HMA-010-KZ		FR. COVER(BK-231P-D)	1		
5 64301-HMA-010-QZ		FR. COVER(S-421S-D)	1		
5 64301-HMA-010-SO	360.90	FR COVER S-421S	1		
5 64301-HMA-010-KX	360.90	FR. COVER(BK-231P)	1		
5 64301-HMA-010-IF	360.90	FR COVER GY-430S	1		

PRICE SHOWN IS PER PIECE. Product image price are approximate guide only. Prices shown are subject to change without prior notice.

5	64301-HMA-010-QU	360.90	FR COVER WH-300P	1	
5-1	RM-001-003	15.00	GRAPHIC-SYMPHONY LOGO (SPECIAL EDITION	2	
6	90118-HLK-000	5.60	GROMMET NUT 5MM	4	
7	90302-M92-000	0.80	SPRING NUT 4MM	2	
8	93404-06016-07	0.80	BOLT WASHER 6X16	4	
9	93903-25320	0.60	TAPPING SCREW 5X16	12	
10	93903-34320	0.60	TAPPING SCREW 4X12	4	
11	34905-HMA-000	11.20	BULB WINKER 12V/21W	2	
12	61101-HMA-000	19.60	DUST GUARD PLATE	1	
13	33120-HMA-000	348.00	HEAD LIGHT UNIT	1	

※ Please check the color & stripe information according to the color index !

PRICE SHOWN IS PER PIECE. Product image price are approximate guide only.
Prices shown are subject to change without prior notice.



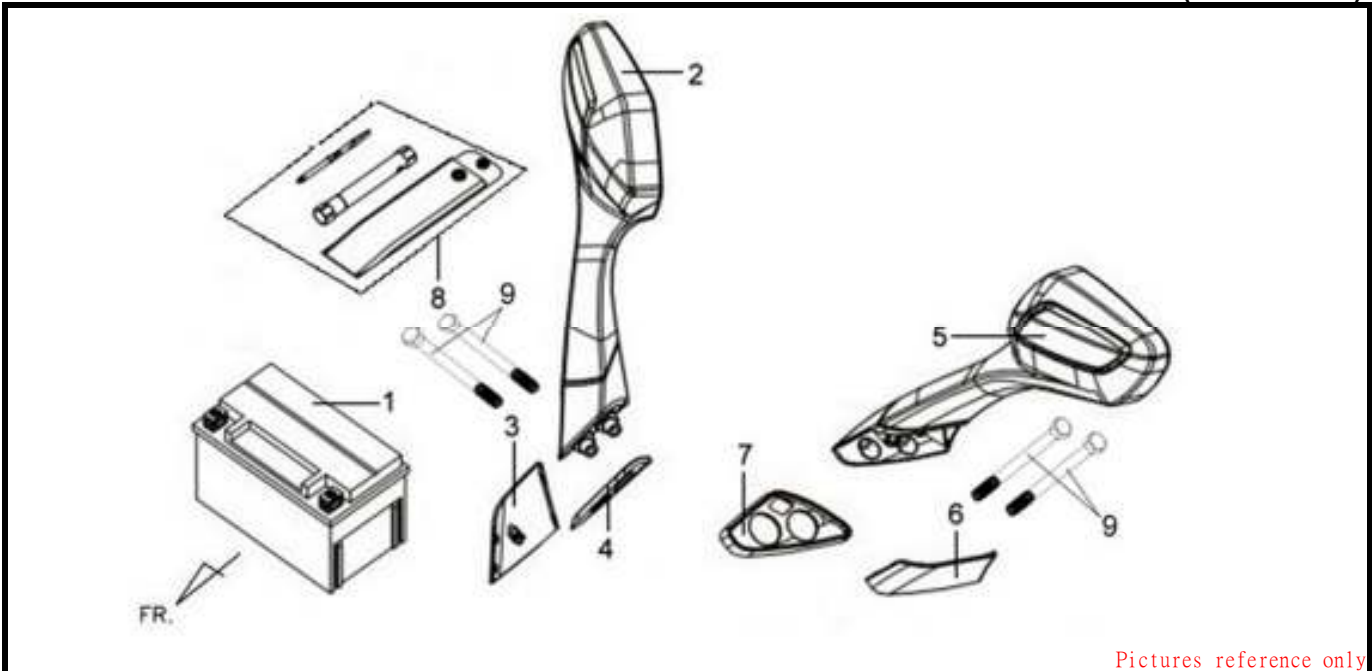
PARTS NUMBER	SELLING PRICE (RM/PCS)	DESCRIPTION	QTY	EFFECTIVE DATE	A P P L Y
1 17910-HTA-000	31.00	THROT. CABLE COMP	1		
3 32160-A3A-900	3.30	WIRE BAND 200X8	4		
4 35150-HTA-000	109.80	R HANDLE SW. ASSY	1		
5 35200-HMA-000	112.80	L. HANDLE SW. ASSY	1		
6 43100-HTA-000		RR. CALIPER ASSY	1		
6 43100-HNA-000	383.90	RR. CALIPER ASSY S-421S	1	2008/2/25	
7 43108-HMA-000-A	74.60	RR. BRAKE PAD SET	2		
8 43126-HTA-000	222.90	RR. BRAKE HOSE ASSY	1		
10 43500-HTA-000	229.60	RR. M/C ASSY	1		
10-1 90114-H9A-000	3.30	HANDLE LEVER TIVOT BOLT	1		
10-2 35350-KBN-900	14.80	RR. STOP SWITCH ASSY(L)	1		
10-3 45511-HTA-000	1.30	FR.M/C CAP	1		
10-4 45517-GM9-712	6.90	MASTER CYLINDER HOLDER.(1V88-0533)	1		
10-5 43502-HMA-000	8.90	FF./FR. BRAKE M/C LID	1		
10-6 93600-04012-1GF	0.40	FLAT SCREW 4*12	2		
10-7 1652-0029	4.10	M/C LID GASKET	1		
11 45100-HTA-000	353.10	FR. CALIPER ASSY	1		
12 45126-HTA-000	150.80	FR. BRAKE HOSE	1		
13 45500-HTA-000	222.90	FR. M/C ASSY	1		
13-1 35340-KBN-900	10.20	FR. STOP SW. ASSY(R)	1		
13-2 90114-H9A-000	3.30	HANDLE LEVER TIVOT BOLT	1		
13-3 45511-HTA-000	1.30	FR.M/C CAP	1		
13-4 45517-GM9-712	6.90	MASTER CYLINDER HOLDER.(1V88-0533)	1		
13-5 43502-HMA-000	8.90	FF./FR. BRAKE M/C LID	1		

PRICE SHOWN IS PER PIECE. Product image price are approximate guide only.
 Prices shown are subject to change without prior notice.

13-6	93600-04012-1GF	0.40	FLAT SCREW 4*12	2
13-7	1652-0029	4.10	M/C LID GASKET	1
15	53100-HMA-000	126.80	STRG HANDLE COMP	1
16	53104-N02-000	31.50	HANDLE PIPE WT. ASSY.	2
17	53140-HMA-900	18.90	THROT GRIP COMP	1
18	53166-H85-000	6.90	L HANDLE GRIP BK-004U	1
19	53175-HMA-000	22.30	R.HANDLE LEVER	1
20	53178-HMA-000	22.30	L.HANDLE LEVER	1
21	53204-HMA-900	5.80	UP HANDLE COVER CAP(BK-001U)	1
21-1	87123-HEB-000	22.30	S-LOGO MARK(30MM)	1
22	53205-HMA-900-KA	22.30	UP HANDLE COVER (BK-001U)	1
23	53206-HMA-900	15.40	R HANDLE COVER	1
24	53207-HMA-900	15.40	L. HANDLE COVER	1
25	53125-M9Q-000	8.60	HANDLE SET COLLAR	1
26	90104-H5K-000	2.50	FLANGE BOLT 8X40	2
27	90106-M9Q-000	3.10	FLANGE BOLT 10X50	1
29	90145-M9Q-000	3.30	OIL BOLT 10X22	4
30	90302-M92-000	0.80	SPRING NUT 4MM	4
31	90304-M9Q-000	4.80	NUT U FLANGE 10MM	1
32	90545-M9Q-000	1.00	OIL BOLT WASHER	16
33	93891-05012-07	0.80	WASHER SCREW 5X12	1
34	93903-34320	0.60	TAPPING SCREW 4X12	3
35	93903-44380	1.00	TAPPING SCREW 4X12	4
36	95801-06022-07	0.80	FLANGE BOLT 6X22	4
37	222Y-1032-M4	5.00	SHIM	2
38	1V93-0228	6.10	MASTER CYLINDER CAP	2
39	1652-0029	4.10	M/C LID GASKET	2
40	1484-0031	0.80	MASTER CYLINDER CAP SCREW	4
41	1484-0039	2.50	HANDLE LEVER SCREW	2

※ Please check the color & stripe information according to the color index !

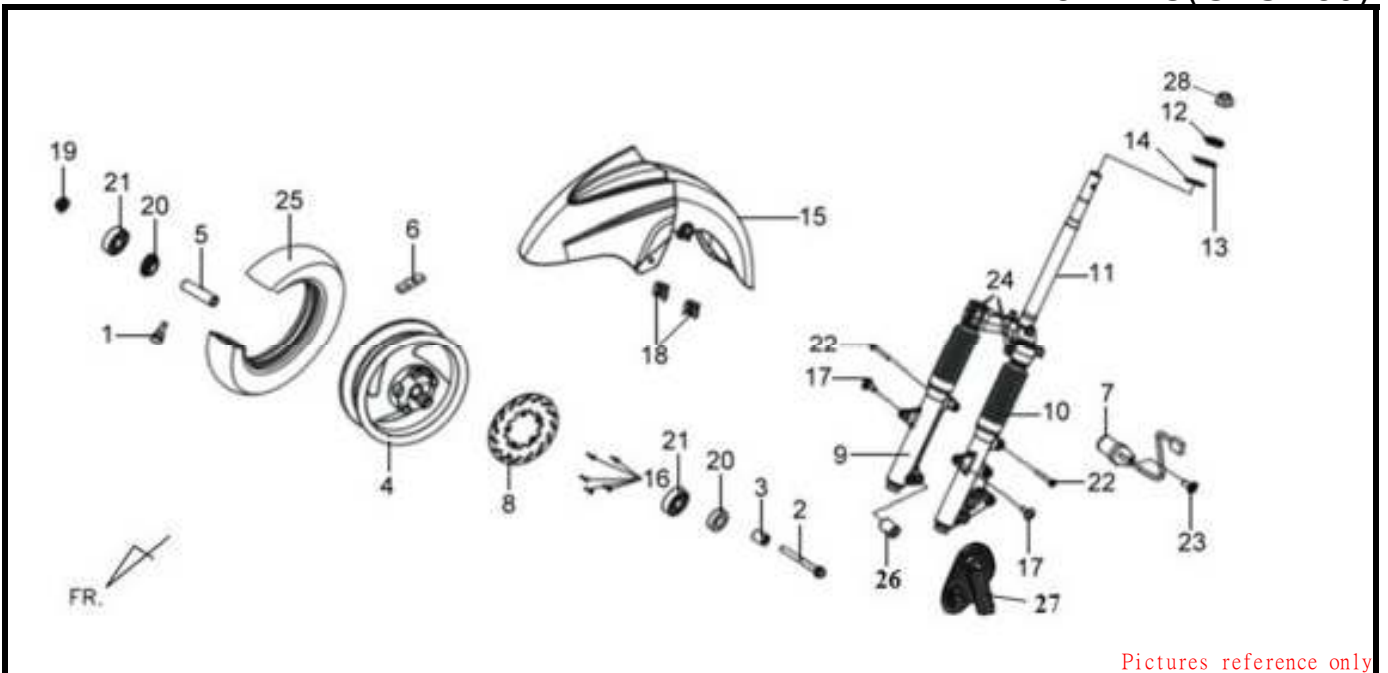
PRICE SHOWN IS PER PIECE. Product image price are approximate guide only.
Prices shown are subject to change without prior notice.



PARTS NUMBER		SELLING PRICE (RM/PCS)	DESCRIPTION	QTY	EFFECTIVE DATE	APP L Y
1	AC-YTX9-BS(HW)	140.00	BATTERY ASSY YTX9-BS(SYM)	1		
2	88110-HMA-900	172.40	R. BACK MIRROR ASSY BK-001U	1		
3	88111-HMA-000	20.60	R. BASE COVER	1		
4	88112-HMA-000	5.50	BACK MIRROR PAD	1		
5	88120-HMA-900	172.40	L. BACK MIRROR ASSY BK-001U	1		
6	88121-HMA-000	20.60	L. BASE COVER	1		
7	88122-HMA-000	5.50	BACK MIRROR PAD	1		
8	89010-M92-000	27.50	TOOL SET	1		
9	96700-06025-07	1.70	SOCKET BOLT 6X25	2		

※ Please check the color & stripe information according to the color index !

PRICE SHOWN IS PER PIECE. Product image price are approximate guide only.
Prices shown are subject to change without prior notice.



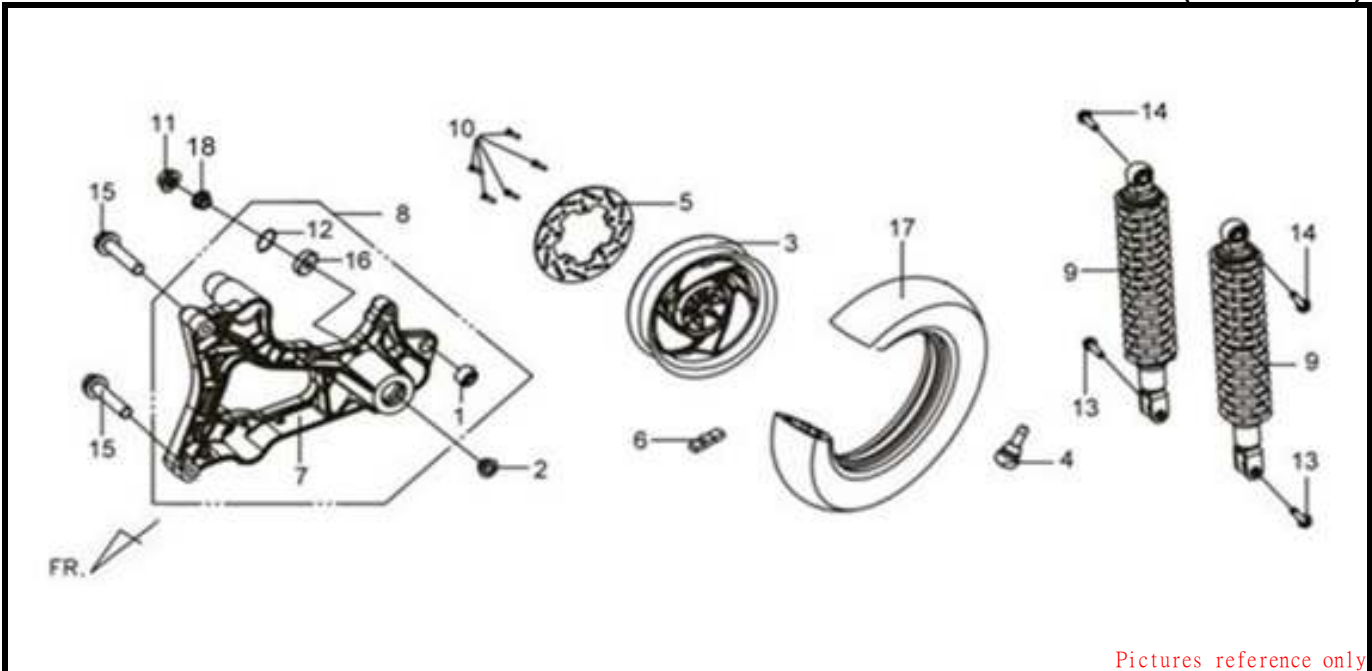
PARTS NUMBER		SELLING PRICE (RM/PCS)	DESCRIPTION	QTY	EFFECTIVE DATE	A P P L Y
1	42753-KJ9-000	9.20	VALVE RIM (PVR-70B)	1		
2	44301-G22-000	13.70	FR. WHEEL AXLE	1		
3	44311-GW0-910	6.10	COLLAR FR. WHEEL SIDE	1		
4	44601-HMA-000	548.40	FR.CAST WHEEL COMP S-877C	1		
5	44620-H3A-000	5.80	FR. AXLE DISTANCE COLLAR	1		
6	44720-H9A-000	10.20	BALANCE WEIGHT	1		
7	44800-HMB-000	92.50	SPEED SENSOR ASSY	1		
8	45121-HMB-000-SH	218.30	FR. BRAKE DISK(SILVER)	1		
9	51400-HMA-000	342.70	R. FR. CUSHION ASSY	1		
9-1	91255-H9A-000	22.30	R.CUSHION OIL SEAL (inside)	1		
9-2	91256-H9A-000	5.20	OIL SEAL33X46.3/51X5.6/14 (outside)	1		
9-3	91259-H9A-000	1.70	OIL SEAL STOP RING	1		
9-4	91309-HMA-000	1.70	O-RING	1		
9-5	90103-HMA-000	12.10	FORK BOLT	1		
9-6	51410-HMA-000	186.30	FR. CUSHION PIPE			
10	51500-HMA-000	342.70	L. FR. CUSHION ASSY	1		
10-1	91255-H9A-000	22.30	R.CUSHION OIL SEAL	1		
10-2	91256-H9A-000	5.20	OIL SEAL33X46.3/51X5.6/14	1		
10-3	91259-H9A-000	1.70	OIL SEAL STOP RING	1		
10-4	91309-HMA-000	1.70	O-RING	1		
10-5	90103-HMA-000	12.10	FORK BOLT	1		
10-6	51410-HMA-000	186.30	FR. CUSHION PIPE			
11	53200-HTA-000	243.20	STRG. STEM COMP.	1		

PRICE SHOWN IS PER PIECE. Product image price are approximate guide only.
Prices shown are subject to change without prior notice.

12	53212-VA3-000	12.10	STRG BOTTOM CONE RACE	1	
13	53214-HMA-000	12.10	STRG. DUST SEAL	1	
14	53215-HHA-000	3.20	S DUST SEAL WASHER(34.5X52X.6)	1	
15	61100-HMA-000-BZ		FR FENDER BU-283S-D	1	
15	61100-HMA-000-BJ	123.40	FR FENDER BU-283S	1	
15	61100-HMA-000-IZ	123.40	FR FENDER GY-430S-D	1	
15	61100-HMA-000-KZ		FR. FENDER (BK-231P-D)	1	
15	61100-HMA-000-QZ	123.40	FR FENDER S-421S-D	1	
15	61100-HMA-000-SO	123.40	FR FENDER S-421S	1	
15	61100-HMA-000-KX	123.40	FR. FENDER (BK-231P)	1	
15	61100-HMA-000-IF	123.40	FR FENDER GY-430S	1	
15	61100-HMA-000-QU	123.40	FR FENDER WH-300P	1	
16	90105-KR3-000	4.10	FR. DISK BOLT 8X24	5	
17	90164-M9Q-000	1.30	SCREW SPECIAL 6mm	2	
18	90305-M9Q-000	1.70	CLIP NUT 6MM	2	
19	90306-M9Q-000	6.10	SELF LOCK NUT 12MM	1	
20	90754-M9Q-000-M2	2.50	DUST SEAL 20X32X5	2	
21	90912-M9Q-000-M1	11.00	RADIAL BALL BRG. 6201(U)	2	
22	93891-06050-07	1.00	WASHER SCREW 6X45	2	
23	93893-06016-07	1.00	SCREW WASHER	1	
24	95801-10040-08	2.00	FLANGE BOLT 10X40	4	
25	AC-SB124-110/90-13	127.00	DELI CITY GRIPPER 110/90-13	1	
26	44312-HMA-000	8.60	FR. WHEEL SIDE COLLAR	1	
27	51106-HMA-000	3.30	SPDMT SENSOR COVER	1	
28	53220-HMA-000	10.20	STRG HD TOP THREAD	1	

※ Please check the color & stripe information according to the color index !

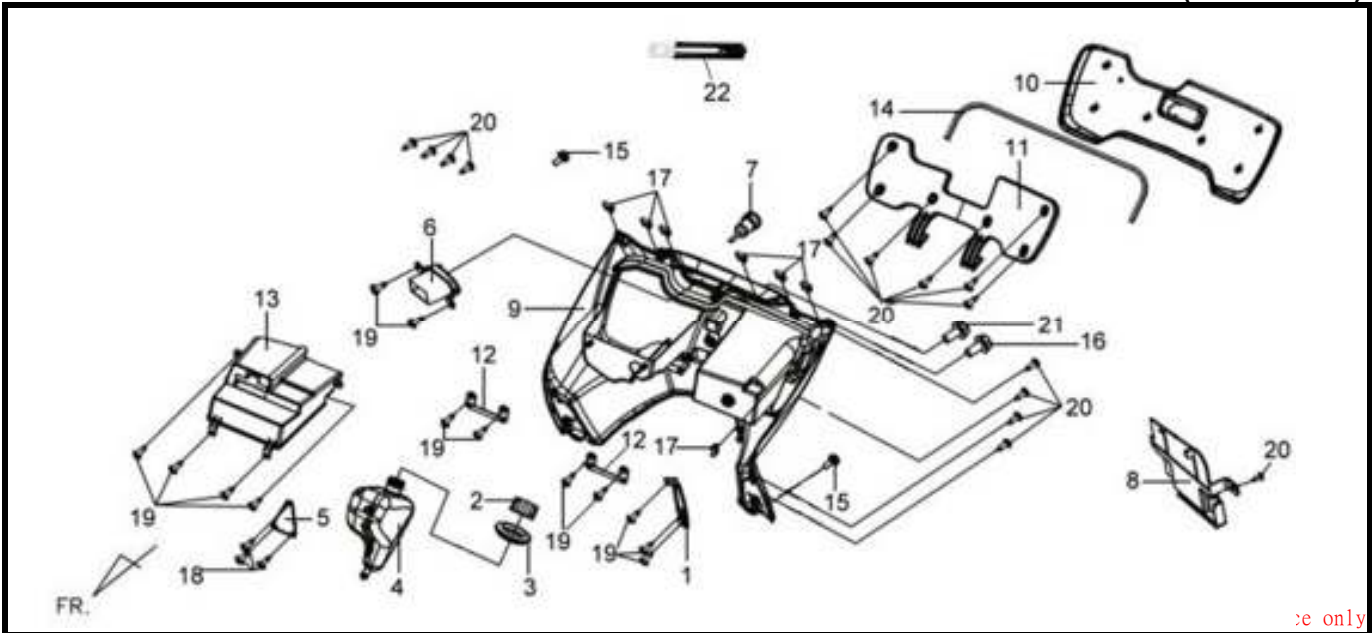
PRICE SHOWN IS PER PIECE. Product image price are approximate guide only.
Prices shown are subject to change without prior notice.



PARTS NUMBER	SELLING PRICE (RM/PCS)	DESCRIPTION	QTY	EFFECTIVE DATE	APPLY
1 11203-GC7-300	3.80	RR.CUSHION RUBBER BUSH	1		
2 42311-H9A-000	15.00	RR. AXLE COLLAR	1		
3 42601-HTA-000		RR. CAST WHEEL COMP(S-877C)	1		
3 42601-HTA-100	548.40	RR.CAST WHEEL COMP S-421S	1	2009/6/15	N
4 42753-KJ9-000	9.20	VALVE RIM (PVR-70B)	1		
5 43121-H9A-000	167.90	RR. BRAKE DISK φ200	1		
6 44720-H9A-000	10.20	BALANCE WEIGHT	1		
7 52100-HLK-004	260.90	RR. FORK	1		
8 5210A-HLK-000	277.60	RR. FORK ASSY	1		
9 52400-HTA-000	137.10	RR. CUSHION ASSY	2		
10 90105-KR3-000	4.10	FR. DISK BOLT 8X24	5		
11 90305-M9Q-900	10.20	U NUT 16 MM	1		
12 94524-47000	3.30	CIR CLIP IN47	1		
13 95801-08035-07	1.70	FLANGE BOLT M8X35	2		
14 95801-10040-08	2.00	FLANGE BOLT 10X40	2		
15 90131-H81-000	3.10	FLANGE BOLT M8*48	2		
16 96150-63033-10	25.60	RADIAL BALL BEARING 6303U	1		
17 AC-SB124-130/70-12	115.00	DELI CITY GRIPPER 130/70-12	1		
18 42311-H9A-900	18.90	RR. AXLE COLLAR	1		

※ Please check the color & stripe information according to the color index !

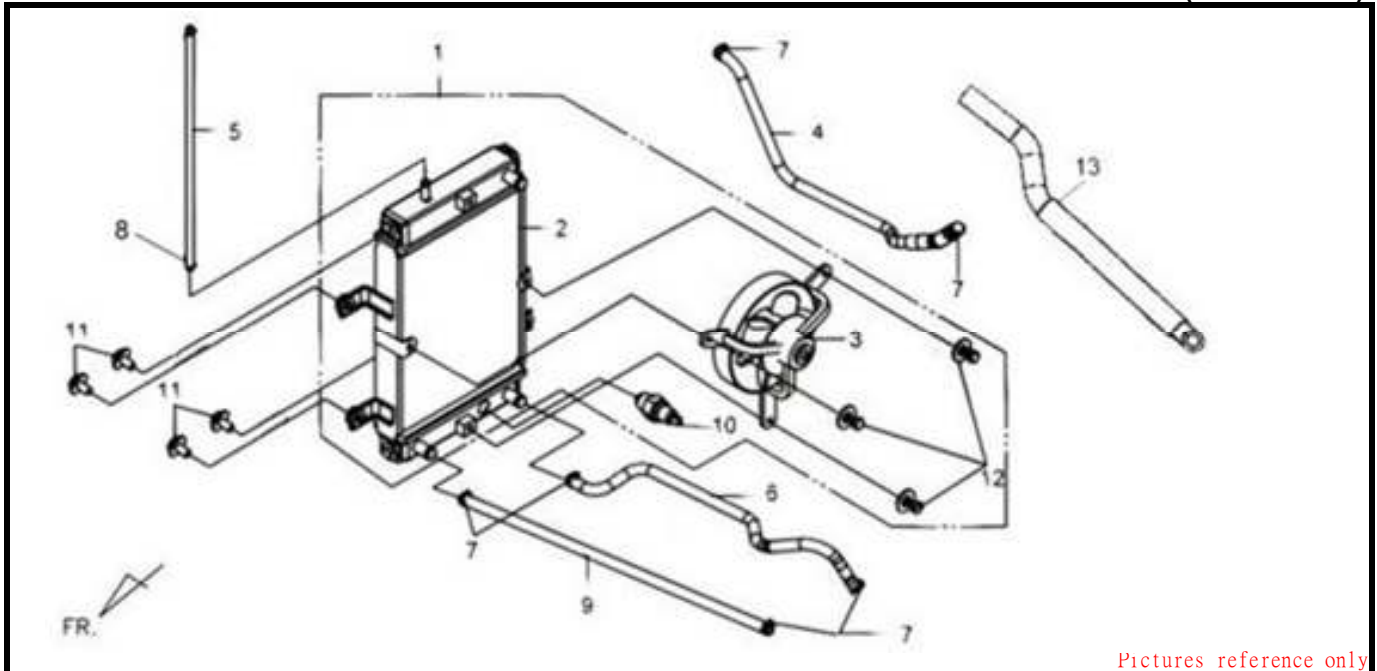
PRICE SHOWN IS PER PIECE. Product image price are approximate guide only.
Prices shown are subject to change without prior notice.



PARTS NUMBER	SELLING PRICE (RM/PCS)	DESCRIPTION	QTY	EFFECTIVE DATE	A P P L Y
1 17661-HMA-000	15.40	FILLER PIPE STAY	3		
2 19015-HMA-000	44.60	RESERVE TANK CAP	1		
3 19016-HMA-000	1.70	RESERVE TANK TRAY	1		
4 19101-HMA-000	37.70	RESERVE TANK	1		
5 19102-HMA-000	5.20	RESERVE TANK STAY	1		
6 35360-HTA-000	51.40	HAZRD SW. COMP	1		
7 38600-RA1-000	42.50	DC. POWER OUTLET	1		
8 50326-HMA-000	16.50	BATTERY COVER	1		
8-1 31508-H9A-000	5.20	CUSHION BATTERY	1		
9 81131-HMA-000-KA	181.00	INNER BOX	1		
10 81141-HMA-000	29.50	INNER BOX LID	1		
11 81142-HMA-000	29.10	INNER BOX LID STIFFENER	1		
12 81143-HMA-000	1.70	INN. BOX LID HINGE STAY	1		
13 81144-HMA-000	20.60	INNER BOX UP CASE	1		
14 81146-HMA-000	5.80	INNER BOX SEAL	1		
15 90111-HKD-000	3.30	BOLT FLANGE 6MM	2		
16 90111-M9Q-900	2.00	FLANGE BOLT(MFZn2-C)6MM	1		
17 90302-M92-000	0.80	SPRING NUT 4MM	6		
18 93903-25320	0.60	TAPPING SCREW 5X16	3		
19 93903-34320	0.60	TAPPING SCREW 4X12	13		
20 93903-34380	0.60	TAPPING SCREW 4X12	15		
21 95801-06012-07	0.80	FLANGE BOLT 6X12	1		
22 94591-25000	1.30	CLIP 2X50	2		

※ Please check the color & stripe information according to the color index !

PRICE SHOWN IS PER PIECE. Product image price are approximate guide only.
Prices shown are subject to change without prior notice.

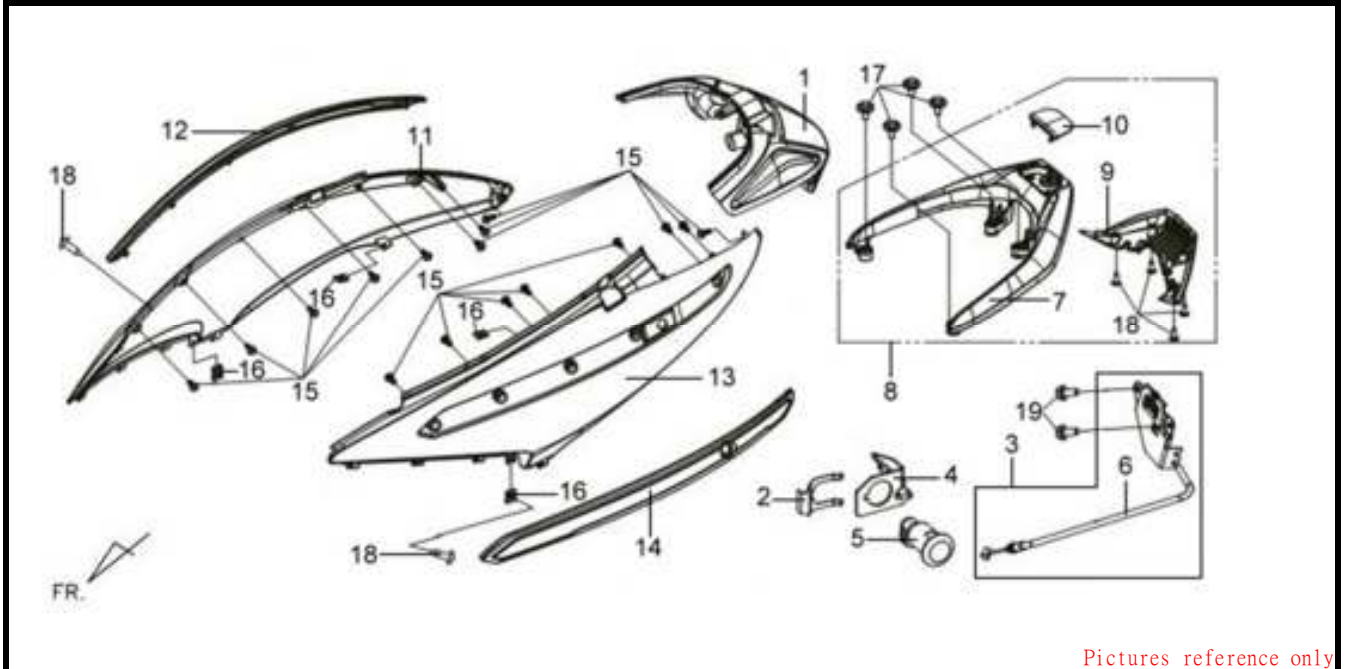


Pictures reference only

PARTS NUMBER	SELLING PRICE (RM/PCS)	DESCRIPTION	QTY	EFFECTIVE DATE	A P P L Y
1 19000-HMA-000	719.90	RADIATOR ASSY.	1		
2 19010-HMA-000	438.80	RADIATOR COMP	1		
3 19005-HMA-000	284.50	SHROUD ASSY	1		
4 19501-HTA-000	34.40	RADIATOR INLET WATER HOSE	1		
5 19503-HMA-000	15.40	RES TANK INLET WATER HOSE	1		
6 19505-HMA-000	27.50	ENG. INLET WATER HOSE	1		
7 19505-KS6-700	3.30	WATER HOSE CLAMP A	6		
8 19505-M8Q-000		WATER HOSE CLAMP A	2		
8 19505-H5D-900	5.20	HOSE CLAMP	1	2011/10/4	
9 19507-HMA-000	24.00	RES TANK OUTER WATER HOSE	1		
10 37760-HMA-000	85.70	THERMO. SW	1		
11 93404-06020-08	0.80	WASHER BOLT 6*20	4		
12 93405-06012-08	1.30	WASHER BOLT 6X12	3		
13 19506-HTA-000	20.60	RADIATOR INLET WATER HOSE B	1		

※ Please check the color & stripe information according to the color index !

PRICE SHOWN IS PER PIECE. Product image price are approximate guide only.
Prices shown are subject to change without prior notice.



Pictures reference only

PARTS NUMBER	SELLING PRICE (RM/PCS)	DESCRIPTION	QTY	EFFECTIVE DATE	APPLY
1 33700-HMA-000	462.70	RR. COMB LIGHT ASSY	1		
1-1 33701-HMA-000	22.30	RR COMB.LIGHT LENS	1		
2 75581-A16-000	2.00	LOCK KEY SET SPRING	1		
3 77230-HMA-000	30.80	SEAT CATCH ASSY	1		
4 77236-T53-000	1.70	WASHER SEAT LOCK	1		
4 77236-HAA-000	1.70	SEAT LOCK WASHER	1	2008/10/20	Y
5 77239-HMA-000	27.50	SEAT LOCK KEY COMP	1		
6 77240-HMA-000	8.60	SEAT LOCK CABLE	1		
7 81200-HMA-000-BZ	298.30	RR. CARRIER BU-283S-D	1		
7 81200-HMA-000-BJ	298.30	RR CARRIER BU-283S	1		
7 81200-HMA-000-IZ	298.30	RR. CARRIER GY-430S-D	1		
7 81200-HMA-000-KZ	298.30	RR. CARRIER BK-231P-D	1		
7 81200-HMA-000-QZ	298.30	RR. CARRIER S-421S-D	1		
7 81200-HMA-000-SO	298.30	RR CARRIER S-421S	1		
7 81200-HMA-000-KX	298.30	RR CARRIER BK-231P	1		
7 81200-HMA-000-IF	298.30	RR CARRIER GY-430S	1		
7 81200-HMA-000-QU	298.30	RR CARRIER WH-300P	1		
8 8120A-HMA-000-BZ	342.70	RR. CARRIER ASSY(BU-283S-D)	1		
8 8120A-HMA-000-IZ	342.70	RR. CARRIER ASSY(GY-430S-D)	1		
8 8120A-HMA-000-KZ	339.10	RR. CARRIER ASSY(BK-231P-D)	1		
8 8120A-HMA-000-QZ	342.70	RR. CARRIER ASSY(S-421S-D)	1		
9 81210-HMA-000	17.80	RR. CARRIER COVER BK-001U	1		
10 81211-HMA-000-BZ	17.10	RR. CARRIER CAPBU-283S-D	1		

PRICE SHOWN IS PER PIECE. Product image price are approximate guide only.
 Prices shown are subject to change without prior notice.

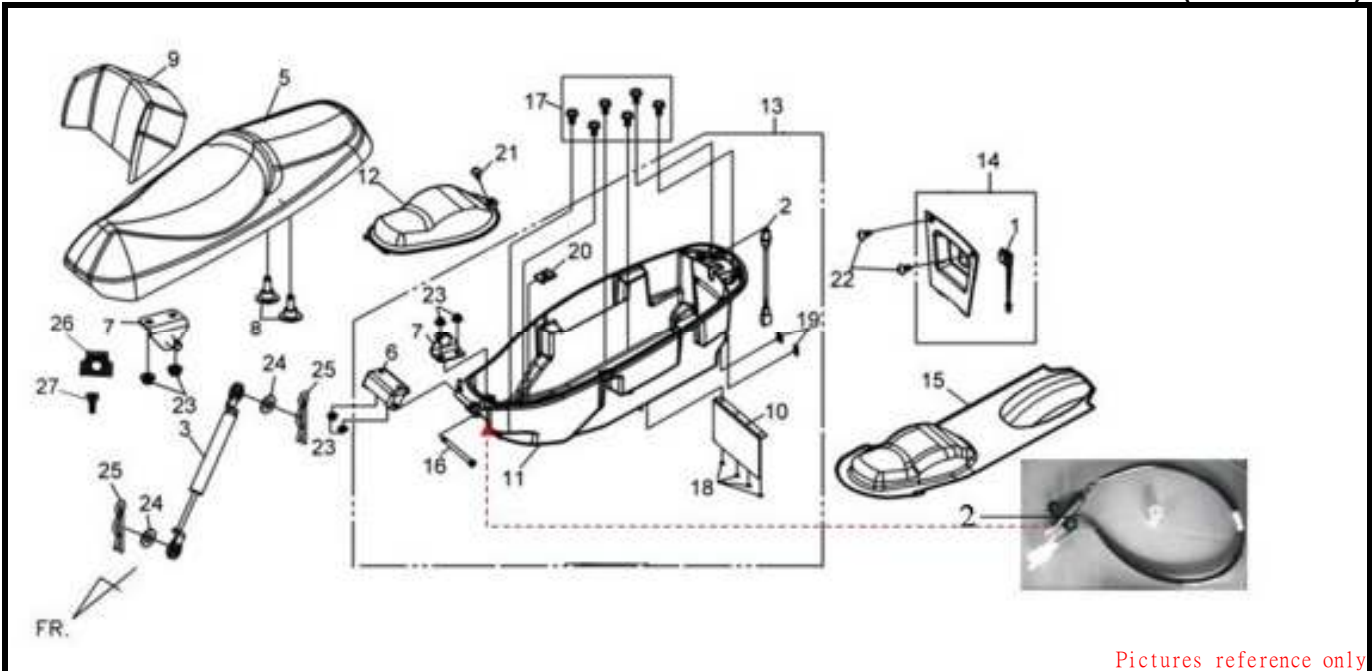
10	81211-HMA-000-BJ	17.10	RR.CARRIER CAP BU-283S	1
10	81211-HMA-000-IZ	17.10	RR. CARRIER CAPGY-430S-D	1
10	81211-HMA-000-KZ	17.10	RR. CARRIER CAPBK-231P-D	1
10	81211-HMA-000-QZ	17.10	RR. CARRIER CAPBU-880S-D	1
10	81211-HMA-000-SO	17.10	RR.CARRIER CAP S-421S	1
10	81211-HMA-000-KX	17.10	RR.CARRIER CAP BK-231P	1
10	81211-HMA-000-IF	17.10	RR.CARRIER CAP GY-430S	1
10	81211-HMA-000-QU	17.10	RR.CARRIER CAP WH-300P	1
11	8350G-HTA-000-BZ1	164.50	R BODY COVER ASSY BU-283S-D	1
11-1	RM-001-001	1.20	GRAPHIC-VTS 200 LOGO	1
11	8350G-HTA-000-BJ1	164.50	R BODY CVOER ASSY.BU-283S	1
11-1	RM-001-001	1.20	GRAPHIC-VTS 200 LOGO	1
11	8350G-HTA-000-IZ1	164.50	R BODY COVER ASSY GY-430S-D	1
11-1	RM-001-001	1.20	GRAPHIC-VTS 200 LOGO	1
11	8350G-HTA-000-KZ1	164.50	R BODY COVER ASSY BK-231P-D	1
11-1	RM-001-001	1.20	GRAPHIC-VTS 200 LOGO	1
11	8350G-HTA-000-QZ1	164.50	R BODY COVER ASSY S-454S-D	1
11-1	RM-001-001	1.20	GRAPHIC-VTS 200 LOGO	1
11	8350G-HTA-000-SO1	164.50	R BODY CVOER ASSY.S-421S	1
11-1	RM-001-001	1.20	GRAPHIC-VTS 200 LOGO	1
11	83500-HMA-000-KX	161.10	R BODY COVER BK-231P	1
11-1	RM-001-001	1.20	GRAPHIC-VTS 200 LOGO	1
11	83500-HMA-000-IF	161.10	R BODY COVER GY-430S	1
11-1	RM-001-001	1.20	GRAPHIC-VTS 200 LOGO	1
11	83500-HMA-000-QU	161.10	R BODY COVER WH-300P	1
12	83501-HMA-000	154.20	R.BODY COVER GARNISH(BK-001U)	1
13	8360G-HTA-000-BZ1	164.50	L BODY COVER ASSY BU-283S-D	1
13-1	RM-001-001	1.20	GRAPHIC-VTS 200 LOGO	1
13-2	83602-HMA-000	22.30	L.BODY COVER SPONGE	1
13	8360G-HTA-000-BJ1	164.50	L BODY CVOER ASSY.BU-283S	1
13-1	RM-001-001	1.20	GRAPHIC-VTS 200 LOGO	1
13-2	83602-HMA-000	22.30	L.BODY COVER SPONGE	1
13	8360G-HTA-000-IZ1	164.50	L BODY COVER ASSY GY-430S-D	1
13-1	RM-001-001	1.20	GRAPHIC-VTS 200 LOGO	1
13-2	83602-HMA-000	22.30	L.BODY COVER SPONGE	1
13	8360G-HTA-000-KZ1	164.50	L BODY COVER ASSY BK-231P-D	1
13-1	RM-001-001	1.20	GRAPHIC-VTS 200 LOGO	1
13-2	83602-HMA-000	22.30	L.BODY COVER SPONGE	1
13	8360G-HTA-000-QZ1	164.50	L BODY COVER ASSY S-421S-D	1
13-1	RM-001-001	1.20	GRAPHIC-VTS 200 LOGO	1
13-2	83602-HMA-000	22.30	L.BODY COVER SPONGE	1
13	8360G-HTA-000-SO1	164.50	L BODY CVOER ASSY.S-421S	1
13-1	RM-001-001	1.20	GRAPHIC-VTS 200 LOGO	1

PRICE SHOWN IS PER PIECE. Product image price are approximate guide only.
Prices shown are subject to change without prior notice.

13-2	83602-HMA-000	22.30	L.BODY COVER SPONGE	1
13	83600-HMA-000-KX	161.10	L BODY COVER BK-231P	1
13-1	RM-001-001	1.20	GRAPHIC-VTS 200 LOGO	1
13-2	83602-HMA-000	22.30	L.BODY COVER SPONGE	1
13	83600-HMA-000-IF	157.70	L BODY COVER GY-430S	1
13-1	RM-001-001	1.20	GRAPHIC-VTS 200 LOGO	1
13-2	83602-HMA-000	22.30	L.BODY COVER SPONGE	1
13	83600-HMA-000-QU	161.10	L BODY COVER WH-300P	1
14	83601-HMA-000	161.10	L.BODY COVER GARNISH(BK-001U)	1
15	90106-H2G-000	0.40	FLANGE BOLT 4X12	10
16	90302-M92-000	0.80	SPRING NUT 4MM	4
17	93406-08012-00	1.30	WASHER BOLT 8X12	4
18	93903-34380	0.60	TAPPING SCREW 4X12	6
19	95801-06012-08	0.80	FLANGE BOLT 6X12	2
20	AC-87000-VTS-0000-BK	56.10	VTS STICKER SET - BLACK	1
20	AC-87000-VTS-0000-GY	56.10	VTS STICKER SET - GREY	1
20	AC-87000-VTS-0000-SV	56.10	VTS STICKER SET - SILVER	1
20	AC-87000-VTS-0000-WH	56.10	VTS STICKER SET - WHITE	1

※ Please check the color & stripe information according to the color index !

PRICE SHOWN IS PER PIECE. Product image price are approximate guide only.
Prices shown are subject to change without prior notice.



Pictures reference only

PARTS NUMBER	SELLING PRICE (RM/PCS)	DESCRIPTION	QTY	EFFECTIVE DATE	A P P L Y
1 35370-M9P-000	36.00	LUGGAGE BOX LIGHT ASSY	1		
2 35380-HMA-000	32.50	SEAT OPEN LAMP SW	1		
3 74480-HMA-010	109.20	OPEN STAY	1		
5 77200-HMA-010	513.30	DOUBLE SEAT ASSY	1		
6 77201-HMA-900	17.10	SEAT HINGE	1		
7 74481-HMA-000	20.60	SEAT OPEN STAY BRKT.	1		
8 77203-HMA-010	5.80	BACK SEAT SET BOLT	1		
9 77300-HMA-000	133.70	BACK SEAT ASSY	1		
10 80104-HMA-000	4.10	SPLASH GUARD PLATE	1		
11 81250-HMA-010	205.80	LUGGAGE BOX	1		
12 81257-HMB-000	20.60	MAINT COVER	1		
12 81257-HMA-000	20.60	MAINT COVER	1	2008/12/15	Y
13 8125A-HTA-000	231.40	LUGGAGE BOX ASSY BK-001U	1		
14 8125B-HMA-005	75.80	LUG BOX RR COVER ASSY.	1		
15 83630-HMB-000	47.90	LUGGAGE BOX MAT	1		
15 83630-HMA-000	47.90	LUGGAGE BOX MAT	1	2008/12/15	Y
16 90106-HMA-000	5.20	HINGE PIN	1		
17 90111-M9Q-800	2.00	FLANGE BOLT 6MM	6		
18 90301-GE0-000	1.00	CLIP NUT	4		
19 90302-M92-000	0.80	SPRING NUT 4MM	2		
20 90677-GR1-003	2.00	CLIP NUT 5MMX0.8	1		
21 93891-05016-07	1.30	WASH SCREW 5X16	1		
22 93903-44380	1.00	TAPPING SCREW 4X12	2		

PRICE SHOWN IS PER PIECE. Product image price are approximate guide only.
 Prices shown are subject to change without prior notice.

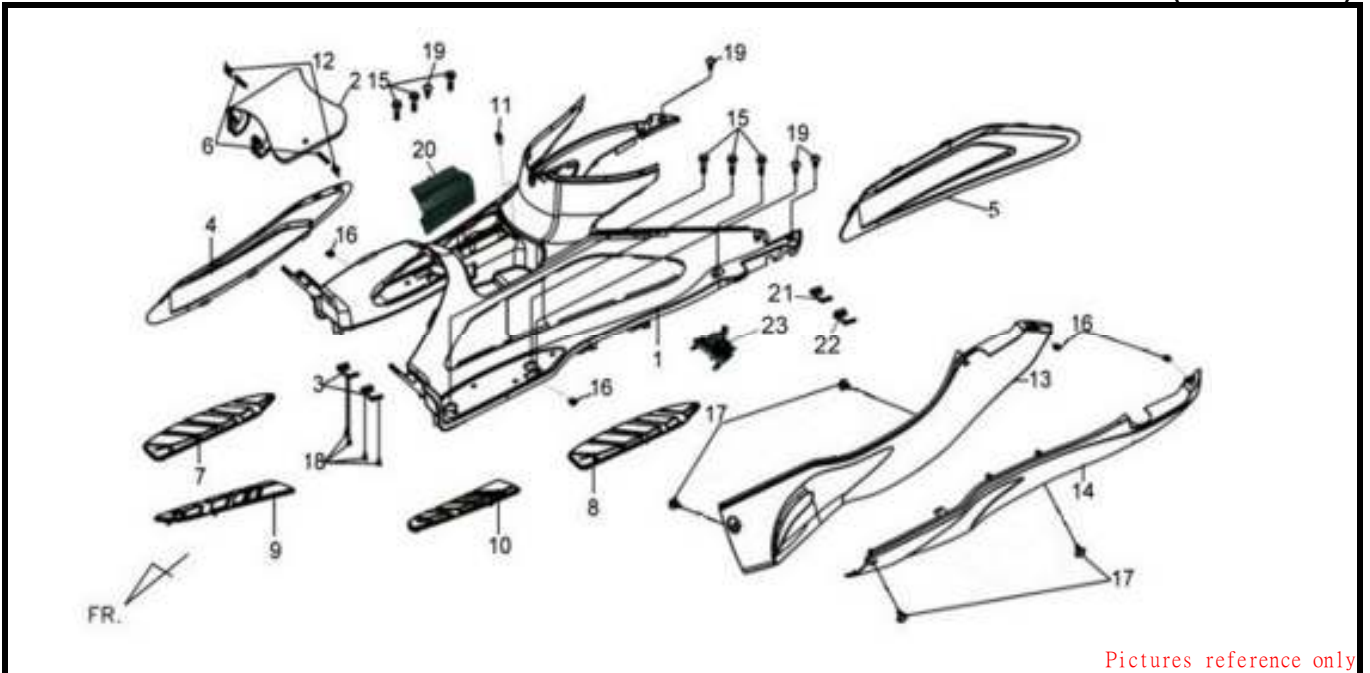
23	94050-06080	1.00	FLANGE NUT 6MM	6		
24	94101-08800	0.80	PLAIN WASHER 8MM	2		
25	94251-08400	0.80	LOCK PIN 8MM (LATCH PIN)	2		
26	77204-HMA-000	2.00	LAMP SW.STAY	1		
27	93406-05010-07	1.30	WASHER BOLT	1		

※ Please check the color & stripe information according to the color index !

PRICE SHOWN IS PER PIECE. Product image price are approximate guide only.
Prices shown are subject to change without prior notice.

F10 FLOOR PANEL & SIDE COVER

LM18W-MC(GTS 180)



Pictures reference only

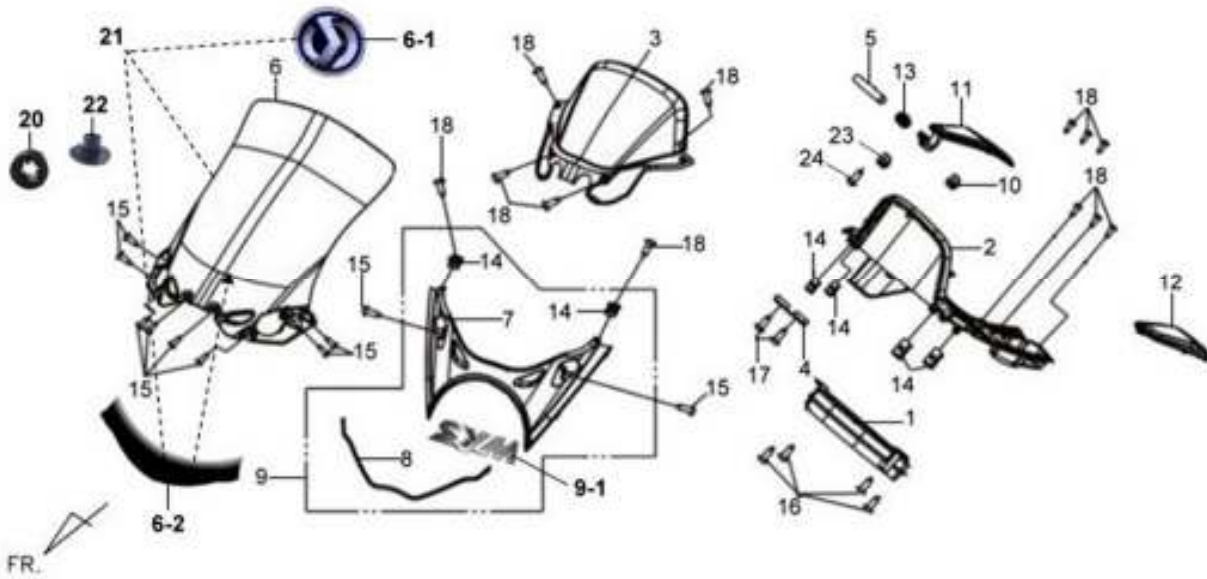
PARTS NUMBER	SELLING PRICE (RM/PCS)	DESCRIPTION	QTY	EFFECTIVE DATE	A P P L Y
1 64310-HMA-010-KA	134.90	FLOOR PANEL (BK-001U)	1		
1 64310-HMA-020-KA	134.90	FLOOR PANEL BK-001U	1	2008/12/1	N
2 64311-HMA-010		FLOOR BOX LID	1		
2 64311-HMA-020-KA	14.40	FLOOR BOX LID	1	2008/12/1	N
3 64312-HMA-000	2.00	FLOOR BOX LID HINGE STAY	1		
4 64313-HMA-000	14.40	R. FLOOR GARNISH	1		
5 64314-HMA-000	14.40	L. FLOOR GARNISH	1		
6 64315-HMA-000	2.50	LID HINGE PIN	2		
7 64321-HMA-000	17.10	R FLOOR MAT A	1		
8 64322-HMA-000	17.10	L FLOOR MAT A	1		
9 64323-HMA-000	17.10	R FLOOR MAT B	1		
10 64324-HMA-000	17.10	L FLOOR MAT B	1		
11 81135-A1A-000	4.50	BOX LID LOCK	1		
12 81153-HMA-010	1.00	COIN BOX LID SPRING	1		
13 83520-HMA-000-BZ		R. SIDE COVER(BU-283S-D)	1		
13 83520-HMA-000-BJ	85.70	R SIDE COVER BU-283S	1		
13 83520-HMA-000-IZ	85.70	R. SIDE COVER(GY-430S-D)	1		
13 83520-HMA-000-KZ		R. SIDE COVER(BK-231P-D)	1		
13 83520-HMA-000-QZ		R SIDE COVER S-421S-D	1		
13 83520-HMA-000-SO	85.70	R SIDE COVER S-421S	1		
13 83520-HMA-000-KX	85.70	R SIDE COVER BK-231P	1		
13 83520-HMA-000-IF	85.70	R SIDE COVER GY-430S	1		
13 83520-HMA-000-QU	85.70	R.SIDE COVER WH-300P	1		

PRICE SHOWN IS PER PIECE. Product image price are approximate guide only.
Prices shown are subject to change without prior notice.

14	83620-HTA-000-BZ	85.70	L. SIDE COVER(BU-283S-D)	1	
14	83620-HTA-000-BJ	85.70	L SIDE COVER BU-283S	1	
14	83620-HTA-000-IZ		L. SIDE COVER(GY-430S-D)	1	
14	83620-HTA-000-KZ		L. SIDE COVER(BK-231P-D)	1	
14	83620-HTA-000-QZ		L. SIDE COVER(S-421S-D)	1	
14	83620-HTA-000-SO	85.70	L SIDE COVER S-421S	1	
14	83620-HTA-000-KX	85.70	L SIDE COVER BK-231P	1	
14	83620-HTA-000-IF	85.70	L SIDE COVER GY-430S	1	
14	83620-HTA-000-QU	85.70	L.SIDE COVER WH-300P	1	
15	90111-M9Q-000	2.50	FLANGE BOLT	6	
16	90302-M92-000	0.80	SPRING NUT 4MM	4	
17	93891-05016-07	1.30	WASH SCREW 5X16	4	
18	93903-34320	0.60	TAPPING SCREW 4X12	4	
19	93903-34380	0.60	TAPPING SCREW 4X12	4	
20	64319-HMA-000-KA	6.10	FRAME NUMBER LID (BK-001U)	1	
21	64317-HMA-000	2.80	R.LID HINGE STAR	1	
22	64318-HMA-000	2.80	L.LID HINGE STAR	1	
23	6432C-HMA-000	17.10	FLOOR BOX LID SPG ASSY	1	

※ Please check the color & stripe information according to the color index !

PRICE SHOWN IS PER PIECE. Product image price are approximate guide only.
Prices shown are subject to change without prior notice.



Pictures reference only

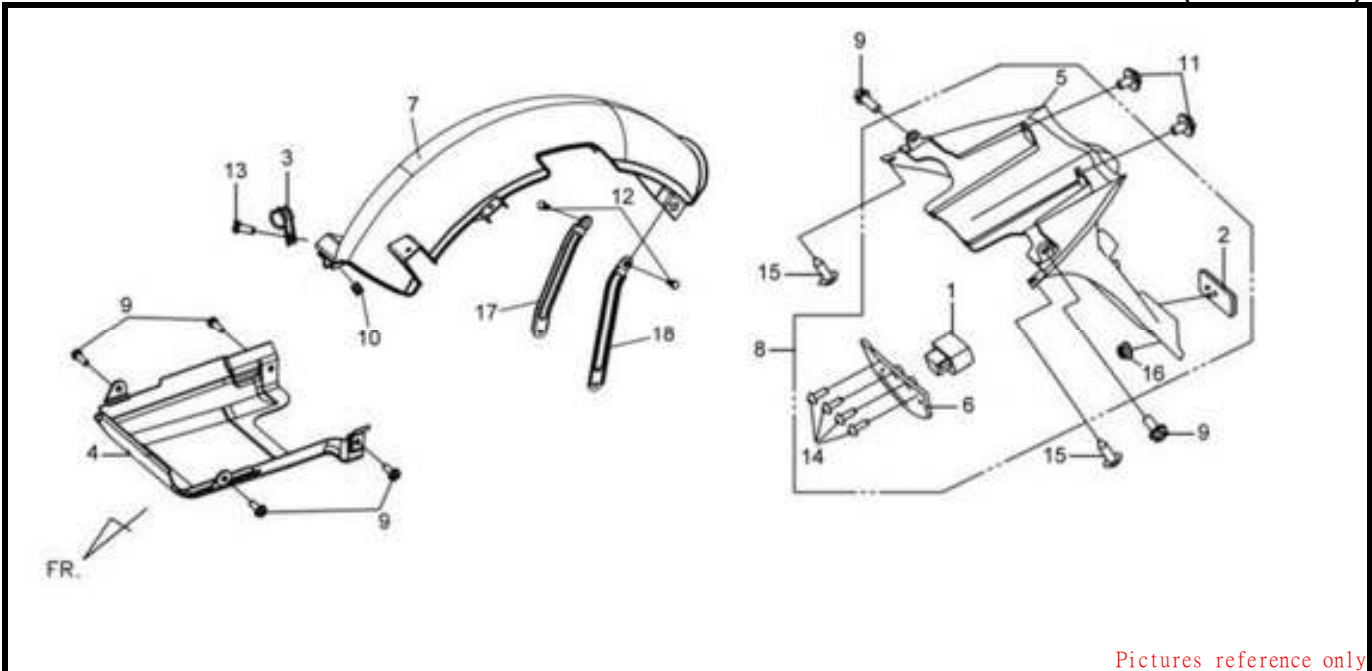
PARTS NUMBER	SELLING PRICE (RM/PCS)	DESCRIPTION	QTY	EFFECTIVE DATE	APPLY
1 37200-HTA-000	781.60	METER ASSY	1		
1-1 37211-HMA-000	34.40	METER LENS	1		
2 53208-HMA-000		METER PANEL (BK-001U)	1		
2 53208-HMA-020	44.60	METER PANEL	1	2009/3/16	Y
2 53208-HMA-030	44.60	METER PANEL	1	2010/1/26	N
3 53209-HMA-000	18.90	METER VISOR	1		
4 64312-HMA-000	2.00	FLOOR BOX LID HINGE STAY	1		
5 64315-HMA-000	2.50	LID HINGE PIN	1		
6 67100-HMA-000	284.50	WIND SCREEN	1		
6-1 87123-H85-000	8.60	S-LOGO 40MM(POLY)	1		
6-1 87123-HMA-000		S-LOGO 40MM(PU)	1	2011/8/30	
6-2 87125-HMA-000	49.80	WIND SCREEN STRIPE	1		
7 67110-HMA-000	78.80	WIND SCREEN GARNISH (BK-001U)	1		
8 67111-HMA-000	17.00	WIND SCREEN GARNISH RUB. SEAL	1		
9 6711A-HMA-000	171.40	WIND SCREEN GARNISH ASSY BK-001U	1		
9-1 87121-H85-000	17.10	SYM MARK(POLY)	1		
10 81135-A1A-000	4.50	BOX LID LOCK	1		
10 8115B-HMA-000	9.30	COIN BOX LOCK ASSY	1	2010/4/1	N
11 81151-HMA-000		COIN BOX LID BK-001U	1		
11 81151-HMA-010		COIN BOX LID BK-001U	1	2009/3/16	N
11 81151-HMA-020	14.10	COIN BOX LID BK-001U	1	2009/4/20	Y
11 81151-HMA-030	14.10	COIN BOX LID BK-001U	1	2010/1/26	N
11 8115A-HMA-010	19.90	COIN BOX LID ASSY BK-001U	1	2010/4/1	N

PRICE SHOWN IS PER PIECE. Product image price are approximate guide only.
Prices shown are subject to change without prior notice.

12	81152-HMA-000	17.10	RES TANK LID	1	
13	81153-HMA-010	1.00	COIN BOX LID SPRING	1	
14	90302-M92-000	0.80	SPRING NUT 4MM	6	
15	90119-HMA-000	1.00	SCREW WASHER 5X18	6	
16	93903-25320	0.60	TAPPING SCREW 5X16	4	
17	93903-34320	0.60	TAPPING SCREW 4X12	2	
18	93903-44380	1.00	TAPPING SCREW 4X12	12	
20	64304-X01-000	1.30	FR.COVER RUBBER	2	
21	6710A-HMA-000	322.20	WIND SCREEN ASSY	1	
22	67101-HMA-000	4.50	WINDSCREEN SCREW CAP	2	
23	81134-HMA-000	13.30	INNER BOX HOOK	1	
24	93903-34320	0.60	TAPPING SCREW 4X12	1	

※ Please check the color & stripe information according to the color index !

PRICE SHOWN IS PER PIECE. Product image price are approximate guide only.
Prices shown are subject to change without prior notice.

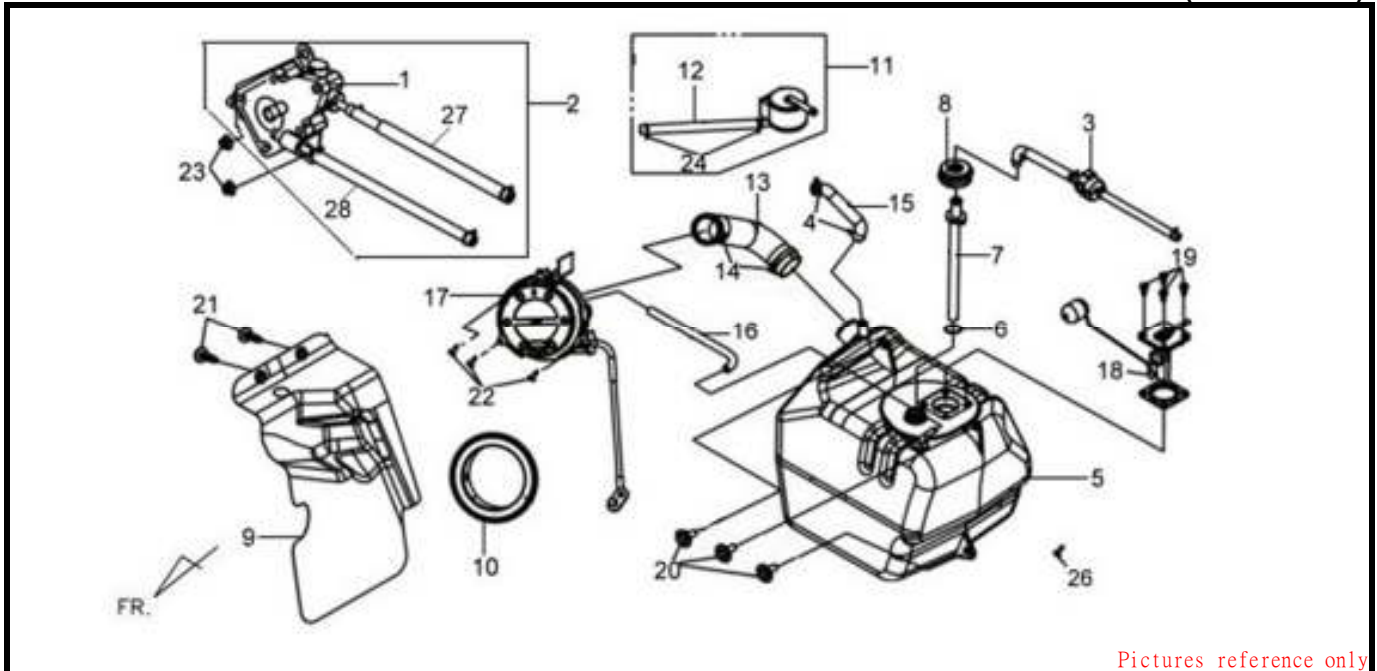


Pictures reference only

PARTS NUMBER	SELLING PRICE (RM/PCS)	DESCRIPTION	QTY	EFFECTIVE DATE	A P P L Y
1 33740-HMA-000	24.00	LICENSE LIGHT ASSY	1		
2 33741-M9A-000	10.20	RR. REFLECTOR	1		
3 45156-H3C-000	3.60	RR. BRAKE HOSE CLAMP	1		
4 50611-HMA-000	25.60	UNDER COVER BK-001U	1		
5 80100-HMA-000	44.60	RR.FENDER	1		
6 80102-HMA-000	5.80	LICENSE LIGHT BRKT.	1		
7 80102-H9A-904	20.40	RR.CENTER FENDER	1		
8 8010A-HMA-000	102.90	RR. FENDER ASSY BK-001U	1		
9 90111-162-000A	2.00	FLANGE BOLT(MFZn2-C)6MM	6		
10 90677-GR1-003	2.00	CLIP NUT 5MMX0.8	1		
11 93404-06016-08	0.80	BOLT WASHER 6X16	2		
12 93894-06012-07	1.00	WASHER SCREW 6X12	2		
13 95801-06012-08	0.80	FLANGE BOLT	1		
14 93903-34320	0.60	TAPPING SCREW 4X12	4		
15 93903-34380	0.60	TAPPING SCREW 4X12	2		
16 94050-05080	0.80	FLANGE NUT 5MM	1		
17 80110-H9A-000	17.10	CENTER FENDER BRACKET	1		
18 80111-H9A-000	20.60	CENTER FENDER BRKT. COMP	1		

※ Please check the color & stripe information according to the color index !

PRICE SHOWN IS PER PIECE. Product image price are approximate guide only.
Prices shown are subject to change without prior notice.



Pictures reference only

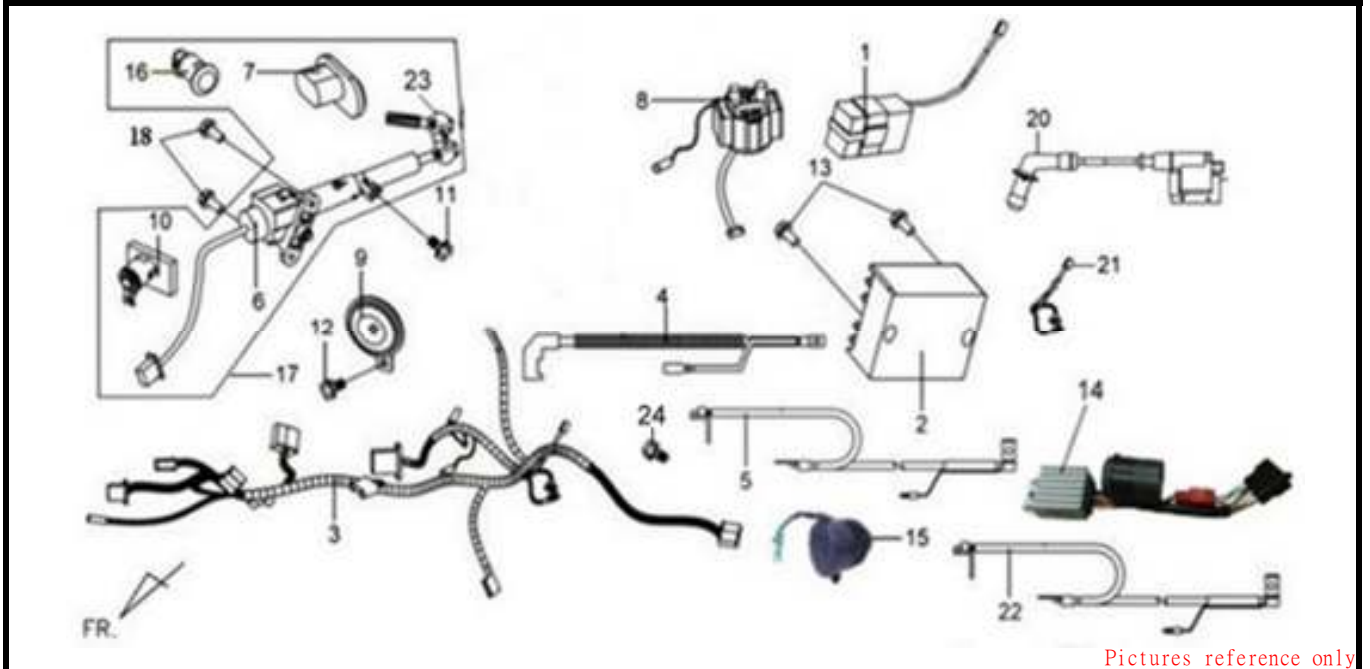
PARTS NUMBER	SELLING PRICE (RM/PCS)	DESCRIPTION	QTY	EFFECTIVE DATE	A P P L Y
1 16700-HMA-010	123.40	FUEL PUMP COMP	1		
2 1670A-HTA-000	120.00	FUEL PUMP ASSY	1		
3 1690A-HMA-000	36.00	FUEL STRAINER ASSY	1		
4 17369-KB4-670	2.50	TUBE CLIP	2		
5 17500-HMA-000	143.90	FUEL TANK	1		
6 17502-HMA-000	1.70	O-RING (14.2X1.5)	1		
7 17503-HMA-000	6.90	FEED PIPE	1		
8 17504-HMA-000	3.30	FEED PIPE HOLDER	1		
9 17508-HMA-000	24.00	FUEL TANK HEAT GUARD	1		
10 17509-HMA-000	5.80	FILLER PIPE COVER	1		
11 17580-HMA-000	32.50	FUEL CUT VALVE ASSY	1		
12 17585-HMA-000	10.20	TANK-FCV TUBE	1		
12-1 95005-45100-20	1.30	TUBE	1		
13 17651-HMA-000	17.10	FUEL TANK TUBE	1		
14 17652-TAA-000	5.20	FILLER TUBE CLIP	2		
15 17653-HMA-000	8.20	BREATHER TUBE	1		
16 17654-HMA-000	6.90	BREATHER TUBE	1		
17 1766A-HMA-000	143.90	FILLER PIPE ASSY	1		
18 37800-HMA-000	68.50	FUEL UNIT	1		
19 90116-HAA-000	0.80	FUEL UNIT BOLT	4		
20 93404-06016-08	0.80	BOLT WASHER 6X16	3		
21 93404-06012-08	0.80	BOLT WASHER 6X12	2		
22 93903-34380	0.60	TAPPING SCREW 4X12	3		

PRICE SHOWN IS PER PIECE. Product image price are approximate guide only.
 Prices shown are subject to change without prior notice.

23	94050-06080	1.00	FLANGE NUT 6MM	2		
24	95002-02080	0.80	BREATHER TUBE CLIP B8	2		
26	93903-44380	1.00	TAPPING SCREW 4X12	3		
27	16710-HTA-000	6.90	FUEL TUBE PUMP-CARB	1		
28	16720-HTA-000	6.90	FUEL PUMP VACUUM TUBE	1		

※ Please check the color & stripe information according to the color index !

PRICE SHOWN IS PER PIECE. Product image price are approximate guide only.
Prices shown are subject to change without prior notice.



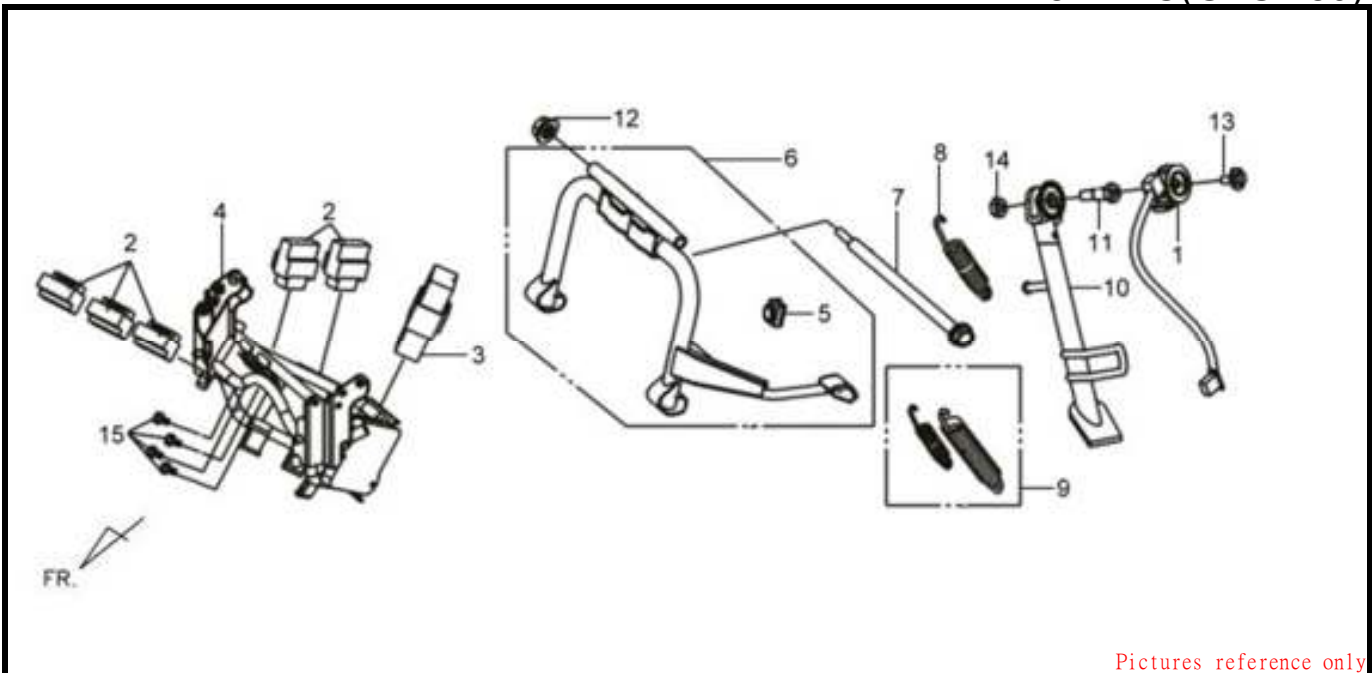
PARTS NUMBER	SELLING PRICE (RM/PCS)	DESCRIPTION	QTY	EFFECTIVE DATE	A P P L Y
1 30400-HTA-000	171.40	CDI. UNIT ASSY	1		
2 31600-M56-000	137.10	REG. REC. COMP	1		
3 32100-HTA-000	497.00	WIRE HARNESS	1		
3 32100-HTA-005	685.50	WIRE HARNESS	1	2006/4/6	N
3-1 32102-HMA-000	8.60	FUSE BOX STAY	1		
3-2 32120-HMA-000	17.10	FUSE BOX COMP	1		
4 32411-HMA-000	34.40	CABLE BATTERY	1		
5 32412-HMA-000	24.00	CABLE EARTH	1		
6 35100-HMA-100	145.70	COMB. LOCK SW. ASSY	1		
7 35110-HMA-000	41.10	SHUTTER COMP	1		
8 35860-HMC-000	56.60	START MAG. SET	1		
8 35860-HMC-010	56.60	START MAG. SET	1	2010/10/18	Y
9 38110-HMA-000	39.40	HORN COMP	1		
10 77233-HMA-000	37.70	INNER BOX LOCK ASSY	1		
11 90085-HHA-900	2.00	SELF LOCKING BOLT 6*16	1		
12 95801-08016-08	0.80	FLANGE BOLT 8X16	1		
13 95801-06030-08	0.80	FLANGE BOLT	3		
14 37400-HTA-010	106.20	CHARGE CONTROL UNIT	1		
15 38600-RA1-000	42.50	DC. POWER OUTLET	1		
16 77239-HMA-000	27.50	SEAT LOCK KEY COMP	1		
17 35010-HMA-100	339.40	KET SET	1		
18 95801-06016-08	1.00	FLANGE BOLT 6X16	2		
19 35400-HTA-000	13.70	RESISTOR COMP	1		

PRICE SHOWN IS PER PIECE. Product image price are approximate guide only.
Prices shown are subject to change without prior notice.

20	3051A-H9A-000	57.60	IGN. COIL ASSY	1		
20-1	30700-M92-000	15.20	NOISE SUPPERSOR CAP ASSY	1		
21	32106-TAM-000	10.20	SUB. CORD	1		
22	32415-HMA-000	9.60	CABLE EARTH	1		
22	32415-HMA-010	25.60	EARTH CABLE B	1	2009/4/13	N
23	35111-HMA-100-A01/20	40.70	KEY COMP A	1	A01/20	
23	35111-HMA-100-B01/20	40.70	KEY COMP B	1	B01/20	
24	90110-FYA-000	1.70	FLANGE BOLT 6X14	1	2012/7/16	

※ Please check the color & stripe information according to the color index !

PRICE SHOWN IS PER PIECE. Product image price are approximate guide only.
Prices shown are subject to change without prior notice.

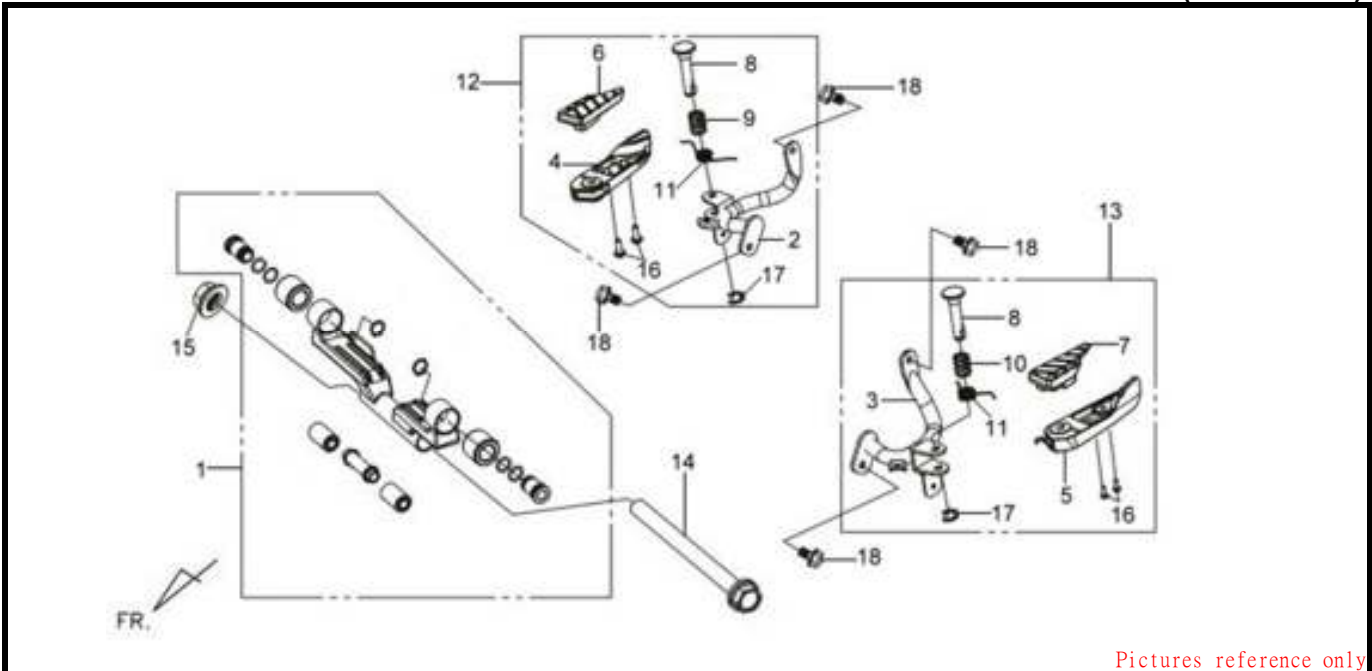


Pictures reference only

PARTS NUMBER	SELLING PRICE (RM/PCS)	DESCRIPTION	QTY	EFFECTIVE DATE	APP L Y
1 36500-HMA-000	41.10	SIDE STAND SW COMP	1		
2 3850A-HLA-000	34.40	ELEC. RELAY ASSY.	2		
2 3850A-HLA-010	34.40	ELEC RELAY ASSY	2	2010/11/23	N
2 3850A-M8Q-000	32.60	ELEC RELAY ASSY	2	2011/11/25	
3 38720-HMA-000	102.90	HAZARD CTRL UNIT	1		
4 50315-HMA-000	167.90	FR COVER STAY	1		
5 50505-M92-010	3.60	MAIN STAND STOPPER RUB.	1		
6 5050A-HTA-000	143.90	MAIN STAND ASSY	1		
7 50512-H6B-000	10.90	MAIN STAND PIVOT BOLT	1		
8 5053A-HMA-000	5.80	SIDE STAND SPRING ASSY	1		
9 5052A-H9A-000	6.10	MAIN STAND SPG. ASSY.	1		
10 50530-HMA-000	30.80	SIDE STAND COMP	1		
11 90108-HMA-000	2.80	SIDE STAND PIVOT SCREW	1		
12 90304-M9Q-000	4.80	NUT U FLANGE 10MM	1		
13 93404-06016-07	0.80	WASHER BOLT 6*16	1		
14 94002-08080-0S	1.00	HEX NUT 8MM	1		
15 95801-06012-08	0.80	FLANGE BOLT 6X12	4		

※ Please check the color & stripe information according to the color index !

PRICE SHOWN IS PER PIECE. Product image price are approximate guide only.
Prices shown are subject to change without prior notice.

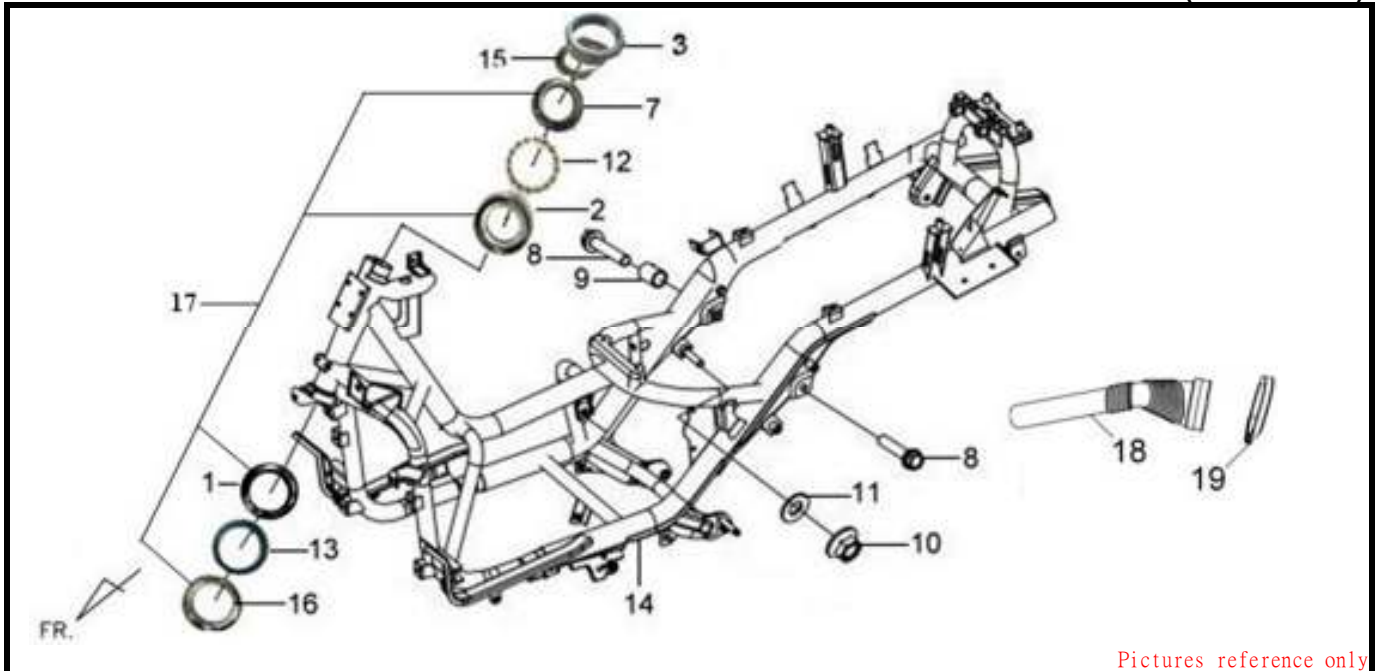


Pictures reference only

PARTS NUMBER	SELLING PRICE (RM/PCS)	DESCRIPTION	QTY	EFFECTIVE DATE	A P P L Y
1 50350-HTA-000	198.80	ENG. HANGER LINK ASSY.	1		
2 50613-HMA-000	56.60	R. PILLION STEP BRKT.	1		
3 50614-HMA-000	61.70	L. PILLION STEP BRKT.	1		
4 50621-HMA-000	49.80	R. PILLION STEP	1		
5 50622-HMA-000	49.80	L. PILLION STEP	1		
6 50623-HMA-000	17.10	R. PILLION STEP MAT	1		
7 50624-HMA-000	17.10	L. PILLION STEP MAT	1		
8 50625-HMA-000	17.80	PILLION STEP PIN	2		
9 50626-HMA-000	1.70	R. PILLION STEP SPRING	1		
10 50627-HMA-000	1.70	L. PILLION STEP SPRING	1		
11 50629-HMA-000	1.70	RETURN SPRING	2		
12 5062A-HMA-000	161.10	R. PILLION STEP ASSY	1		
13 5062B-HMA-000	161.10	L. PILLION STEP ASSY	1		
14 90105-H9A-000	13.70	FLANGE BOLT 12X232	1		
15 90306-M9Q-000	6.10	SELF-LOCK NUT 12MM	1		
16 93892-05012-08	2.50	WASHER SCREW 5*12	4		
17 94540-07010	1.30	E-RING 7mm	2		
18 95801-08020-08	1.00	FLANGE BOLT 8X20MM	4		

※ Please check the color & stripe information according to the color index !

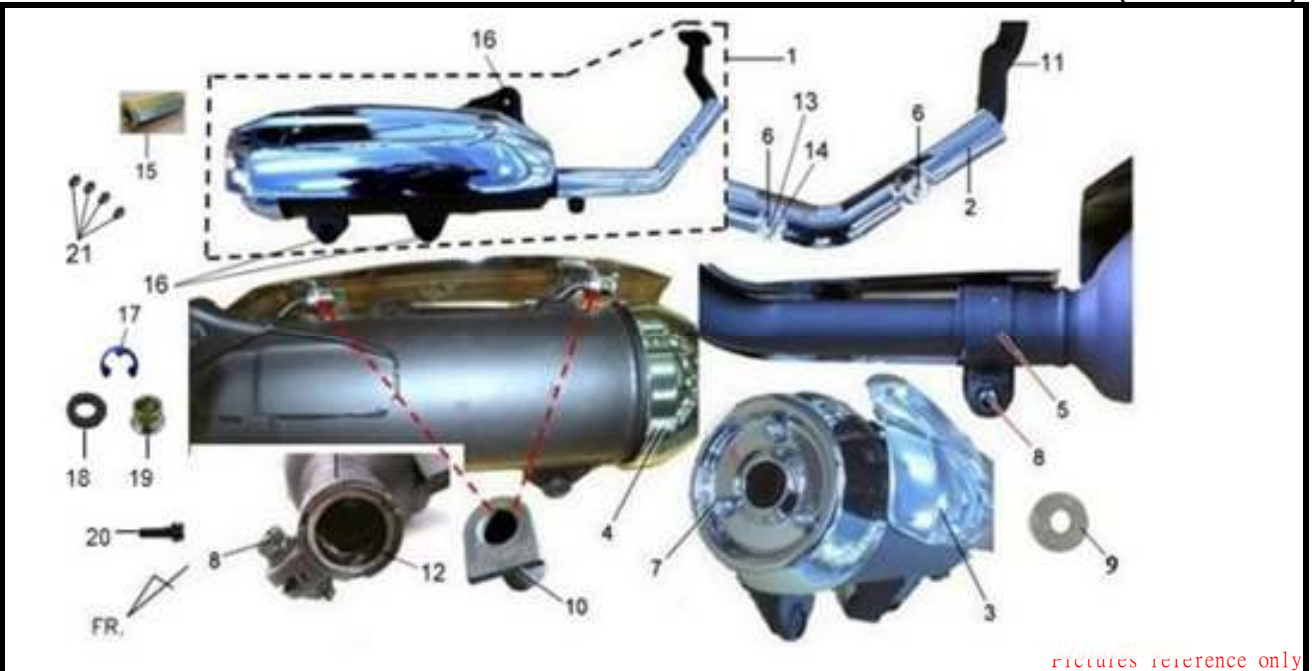
PRICE SHOWN IS PER PIECE. Product image price are approximate guide only.
Prices shown are subject to change without prior notice.



PARTS NUMBER	SELLING PRICE (RM/PCS)	DESCRIPTION	QTY	EFFECTIVE DATE	A P P L Y
1 50305-VA3-000	12.10	STRG.BOTTOM BALL RACE	1	REVISED	
2 50301-HMA-000	10.90	RACE UP STRG BALL	1	REVISED	
3 50306-M9Q-000	5.50	STRG. STEM LOCK NUT	1		
7 53211-HMA-000	12.10	STRG. UP CONE RACE	1		
8 90106-M9Q-900	2.80	FLANGE BOLT 10X55	2		
9 90121-M9Q-000	2.00	DISTANCE COLLAR	1		
10 90306-M9Q-000	6.10	SELF LOCK NUT 12MM	1		
11 94103-12800	1.30	PLAIN WASHER	1		
12 53215-HMA-000	25.60	STEEL BALL UP ASSY.	1		
13 53225-HMA-000	26.10	STEEL BALL LOW ASSY.	1		
14 50100-HTA-001	1727.60	FRAME BODY COMP	1		
15 50308-HMA-000	1.70	STRG STEM WASHER	1		
16 53212-VA3-000	12.10	STRG BOTTOM CONE RACE	1		
17 50300-HMA-000	51.70	BALL RACE SET	1		
18 1940A-HTA-000	30.20	L.COVER DUCT ASSY	1		
19 11346-GY6-900	5.40	L. COVER DUCT BAND	1		

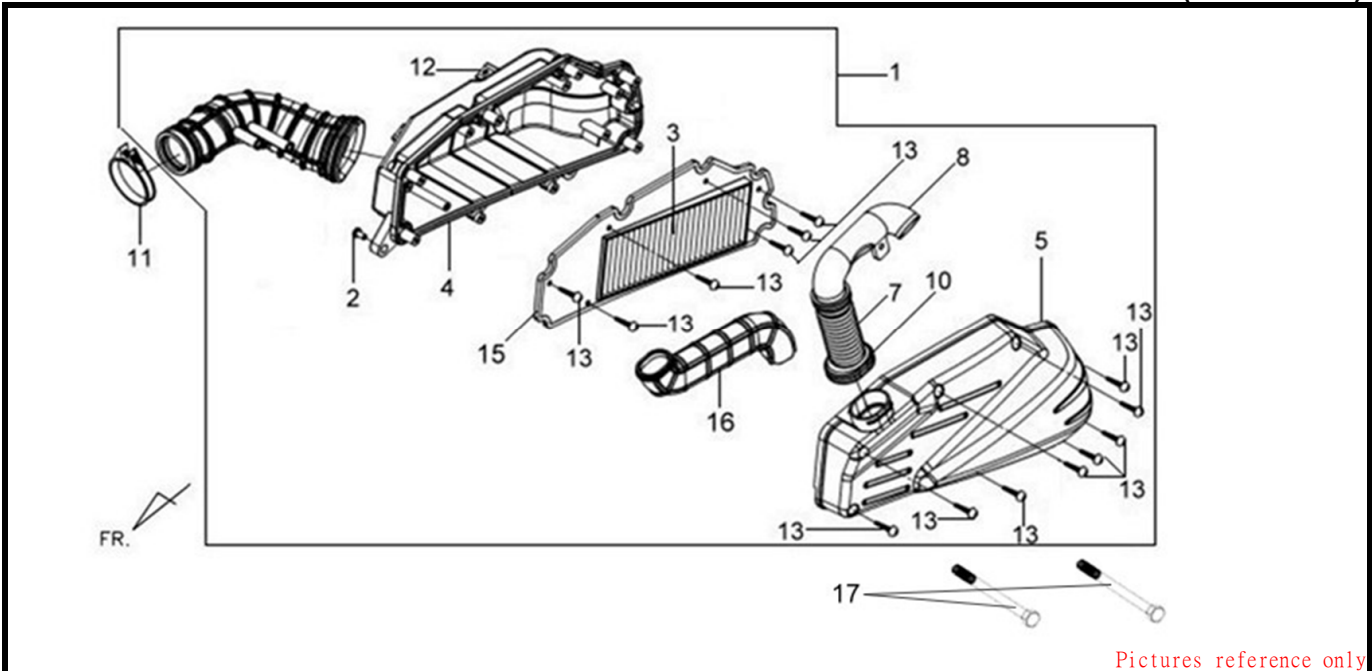
※ Please check the color & stripe information according to the color index !

PRICE SHOWN IS PER PIECE. Product image price are approximate guide only.
Prices shown are subject to change without prior notice.



PARTS NUMBER	SELLING PRICE (RM/PCS)	DESCRIPTION	QTY	EFFECTIVE DATE	APPLY
1 18000-HLY-000	1175.30	MUFFLER ASSY	1		
1 18000-HLY-010	1057.40	MUFFLER ASSY	1	2010/10/4	N
2 18241-HLK-000	41.10	EXH.MUFFLER PROTECTOR	1		
3 18318-H9L-000	149.10	MUFFLER PROTECTOR	1		
3 18318-HNS-000	181.60	MUFFLER PROTECTOR	1	2010/10/4	N
4 18328-HLK-000	56.60	MUFFLER REAR PROTECTOCR	1		
5 18321-HLK-000	20.60	MUFFLER BAND 35MM	1		
6 90103-V02-000	1.70	FLANGE SH BOLT SET 6X12	2		
7 90215-HLK-000	3.10	CAP NUT	3		
8 93403-08032-07	3.30	WASHER BOLT	1		
9 18292-F3E-000	4.10	PROTECTOR PACKING A	4		
10 18251-HLK-000	5.20	DAMPER RUBBER	4		
11 18320-HLK-300	137.10	EXH. PIPE COMP	1		
12 18322-HLK-300	20.60	MUFFLER GASKET	1		
13 94111-06000	0.80	SPRING WASHER 6MM	2		
14 90401-HLA-000	2.20	PLAIN WASHER 6MM	2		
15 90301-M92-000	4.80	MUFFLER JOINT NUT	2		
16 18305-HLY-000	6.90	EXH.MUFFLER BUSH	3		
17 94540-06029	1.00	E-RING 6MM	6		
18 18293-HNS-000	3.30	PROTECTOR PACKING B	1		
19 18295-HNS-000	3.80	COLLAR M6	1		
20 93401-06020-07	1.30	WASHER BOLT 6*20	1		
21 18293-F3E-000	1.00	PROTECTOR PACKING	1	2013/8/26	

PRICE SHOWN IS PER PIECE. Product image price are approximate guide only.
 Prices shown are subject to change without prior notice.



Pictures reference only

PARTS NUMBER	SELLING PRICE (RM/PCS)	DESCRIPTION	QTY	EFFECTIVE DATE	A P P L Y
1 17200-HTA-000	164.50	AIR/C ASSY	1		
2 17208-M9Q-300	2.50	AIR CLEANER SET COLLAR	1		
3 17211-HLK-000	41.10	AIR/C ELEMENT COMP	1		
4 17230-HLK-000	51.40	AIR/C CASE	1		
5 17231-HLK-000	27.50	AIR CLEANER CASE COVER	1		
7 17257-HLK-000	14.40	AIR/C CASE DUCT	1		
8 17258-HTA-000	22.80	AIR/C DUCT B	1		
10 18362-KA4-700	1.30	BAND SILENCR SEAL	1		
11 90652-M9Q-000	8.60	AIR/C CONN. TUBE BAND	1		
12 90677-GR1-003	2.00	CLIP NUT 5MMX0.8	1		
13 93903-25480	0.60	TAPPING SCREW 5X20	13		
15 17214-HLK-000	8.60	AIR/C COVER SEAL	1		
16 17253-H9B-000	20.60	AIR/C CONN TUBE	1		
17 93404-06030-07	1.30	BOLT WASHER 6X30	2		

※ Please check the color & stripe information according to the color index !

PRICE SHOWN IS PER PIECE. Product image price are approximate guide only.
Prices shown are subject to change without prior notice.



Pictures reference only

PARTS NUMBER		SELLING PRICE (RM/PCS)	DESCRIPTION	QTY	EFFECTIVE DATE
1	1865A-HTA-000	85.70	A.I.C.V. UNIT	1	
2	18655-HTA-000	32.20	A.I.A.C. JOINT TUBE	1	
3	18657-H9A-000	6.90	AICV INLET PIPE JOINT TUBE	1	

※ Please check the color & stripe information according to the color index !

PRICE SHOWN IS PER PIECE. Product image price are approximate guide only.
Prices shown are subject to change without prior notice.



Pictures reference only

PARTS NUMBER		SELLING PRICE (RM/PCS)	DESCRIPTION	QTY	EFFECTIVE DATE
1	AC-87000-VTS-0000-BK	56.10	VTS STICKER SET - BLACK	1	
1-1	AC-87000-VTS-000BK01	4.00	LEFT FRONT COVER STRIPE A - BLACK	1	
1-2	AC-87000-VTS-000BK02	4.00	LEFT FRONT COVER STRIPE B - BLACK	1	
1-3	AC-87000-VTS-000BK03	6.00	LEFT FRONT COVER STRIPE C - BLACK	1	
1-4	AC-87000-VTS-000BK04	4.00	LEFT SIDE COVER STRIPE - BLACK	1	
1-5	AC-87000-VTS-000BK05	6.00	LEFT BODY COVER STRIPE A - BLACK	1	
1-6	AC-87000-VTS-000BK06	4.00	LEFT BODY COVER STRIPE B - BLACK	1	
1-7	AC-87000-VTS-000BK07	4.00	LEFT BODY COVER STRIPE C - BLACK	1	
1-8	AC-87000-VTS-000BK08	4.00	LEFT BODY COVER STRIPE D - BLACK	1	
1-9	AC-87000-VTS-000BK09	4.00	RIGHT FRONT COVER STRIPE A - BLACK	1	
1-10	AC-87000-VTS-000BK10	4.00	RIGHT FRONT COVER STRIPE B - BLACK	1	
1-11	AC-87000-VTS-000BK11	6.00	RIGHT FRONT COVER STRIPE C - BLACK	1	
1-12	AC-87000-VTS-000BK12	4.00	RIGHT SIDE COVER STRIPE - BLACK	1	
1-13	AC-87000-VTS-000BK13	6.00	RIGHT BODY COVER STRIPE A - BLACK	1	
1-14	AC-87000-VTS-000BK14	4.00	RIGHT BODY COVER STRIPE B - BLACK	1	
1-15	AC-87000-VTS-000BK15	4.00	RIGHT BODY COVER STRIPE C - BLACK	1	
1-16	AC-87000-VTS-000BK16	4.00	RIGHT BODY COVER STRIPE D - BLACK	1	
2	AC-87000-VTS-0000-GY	56.10	VTS STICKER SET - GREY	1	
2-1	AC-87000-VTS-000GY01	4.00	LEFT FRONT COVER STRIPE A - GREY	1	
2-2	AC-87000-VTS-000GY02	4.00	LEFT FRONT COVER STRIPE B - GREY	1	
2-3	AC-87000-VTS-000GY03	6.00	LEFT FRONT COVER STRIPE C - GREY	1	
2-4	AC-87000-VTS-000GY04	4.00	LEFT SIDE COVER STRIPE - GREY	1	
2-5	AC-87000-VTS-000GY05	6.00	LEFT BODY COVER STRIPE A - GREY	1	
2-6	AC-87000-VTS-000GY06	4.00	LEFT BODY COVER STRIPE B - GREY	1	
2-7	AC-87000-VTS-000GY07	4.00	LEFT BODY COVER STRIPE C - GREY	1	
2-8	AC-87000-VTS-000GY08	4.00	LEFT BODY COVER STRIPE D - GREY	1	

PRICE SHOWN IS PER PIECE. Product image price are approximate guide only.
 Prices shown are subject to change without prior notice.

2-9	AC-87000-VTS-000GY09	4.00	RIGHT FRONT COVER STRIPE A - GREY	1
2-10	AC-87000-VTS-000GY10	4.00	RIGHT FRONT COVER STRIPE B - GREY	1
2-11	AC-87000-VTS-000GY11	6.00	RIGHT FRONT COVER STRIPE C - GREY	1
2-12	AC-87000-VTS-000GY12	4.00	RIGHT SIDE COVER STRIPE - GREY	1
2-13	AC-87000-VTS-000GY13	6.00	RIGHT BODY COVER STRIPE A - GREY	1
2-14	AC-87000-VTS-000GY14	4.00	RIGHT BODY COVER STRIPE B - GREY	1
2-15	AC-87000-VTS-000GY15	4.00	RIGHT BODY COVER STRIPE C - GREY	1
2-16	AC-87000-VTS-000GY16	4.00	RIGHT BODY COVER STRIPE D - GREY	1
3	AC-87000-VTS-0000-SV	56.10	VTS STICKER SET - SILVER	1
3-1	AC-87000-VTS-000SV01	4.00	LEFT FRONT COVER STRIPE A - SILVER	1
3-2	AC-87000-VTS-000SV02	4.00	LEFT FRONT COVER STRIPE B - SILVER	1
3-3	AC-87000-VTS-000SV03	6.00	LEFT FRONT COVER STRIPE C - SILVER	1
3-4	AC-87000-VTS-000SV04	4.00	LEFT SIDE COVER STRIPE - SILVER	1
3-5	AC-87000-VTS-000SV05	6.00	LEFT BODY COVER STRIPE A - SILVER	1
3-6	AC-87000-VTS-000SV06	4.00	LEFT BODY COVER STRIPE B - SILVER	1
3-7	AC-87000-VTS-000SV07	4.00	LEFT BODY COVER STRIPE C - SILVER	1
3-8	AC-87000-VTS-000SV08	4.00	LEFT BODY COVER STRIPE D - SILVER	1
3-9	AC-87000-VTS-000SV09	4.00	RIGHT FRONT COVER STRIPE A - SILVER	1
3-10	AC-87000-VTS-000SV10	4.00	RIGHT FRONT COVER STRIPE B - SILVER	1
3-11	AC-87000-VTS-000SV11	6.00	RIGHT FRONT COVER STRIPE C - SILVER	1
3-12	AC-87000-VTS-000SV12	4.00	RIGHT SIDE COVER STRIPE - SILVER	1
3-13	AC-87000-VTS-000SV13	6.00	RIGHT BODY COVER STRIPE A - SILVER	1
3-14	AC-87000-VTS-000SV14	4.00	RIGHT BODY COVER STRIPE B - SILVER	1
3-15	AC-87000-VTS-000SV15	4.00	RIGHT BODY COVER STRIPE C - SILVER	1
3-16	AC-87000-VTS-000SV16	4.00	RIGHT BODY COVER STRIPE D - SILVER	1
4	AC-87000-VTS-0000-WH	56.10	VTS STICKER SET - WHITE	1
4-1	AC-87000-VTS-000WH01	4.00	LEFT FRONT COVER STRIPE A - WHITE	1
4-2	AC-87000-VTS-000WH02	4.00	LEFT FRONT COVER STRIPE B - WHITE	1
4-3	AC-87000-VTS-000WH03	6.00	LEFT FRONT COVER STRIPE C - WHITE	1
4-4	AC-87000-VTS-000WH04	4.00	LEFT SIDE COVER STRIPE - WHITE	1
4-5	AC-87000-VTS-000WH05	6.00	LEFT BODY COVER STRIPE A - WHITE	1
4-6	AC-87000-VTS-000WH06	4.00	LEFT BODY COVER STRIPE B - WHITE	1
4-7	AC-87000-VTS-000WH07	4.00	LEFT BODY COVER STRIPE C - WHITE	1
4-8	AC-87000-VTS-000WH08	4.00	LEFT BODY COVER STRIPE D - WHITE	1
4-9	AC-87000-VTS-000WH09	4.00	RIGHT FRONT COVER STRIPE A - WHITE	1
4-10	AC-87000-VTS-000WH10	4.00	RIGHT FRONT COVER STRIPE B - WHITE	1
4-11	AC-87000-VTS-000WH11	6.00	RIGHT FRONT COVER STRIPE C - WHITE	1
4-12	AC-87000-VTS-000WH12	4.00	RIGHT SIDE COVER STRIPE - WHITE	1
4-13	AC-87000-VTS-000WH13	6.00	RIGHT BODY COVER STRIPE A - WHITE	1
4-14	AC-87000-VTS-000WH14	4.00	RIGHT BODY COVER STRIPE B - WHITE	1
4-15	AC-87000-VTS-000WH15	4.00	RIGHT BODY COVER STRIPE C - WHITE	1
4-16	AC-87000-VTS-000WH16	4.00	RIGHT BODY COVER STRIPE D - WHITE	1

※ Please check the color & stripe information according to the color index !

PRICE SHOWN IS PER PIECE. Product image price are approximate guide only.
Prices shown are subject to change without prior notice.

PARTS NO.	NO.	PARTS NO.	NO.	PARTS NO.	NO.
11000		13201-HLA-000	E12	15421-H66-000	E04
11100-H9B-010	E11	13371-H9A-300	E12	15421-M9Q-000	E04
11102-H9A-300	E11	13381-HGC-000	E12	15426-M9Q-000	E04
11191-H9A-000	E11	14000		15441-149-000	E12
11200-H9B-010	E11	14100-H9A-000	E03	15447-149-000	E12
11203-M9Q-300	E11	14105-A31-000	E03	1565A-H9A-000	E04
11203-M9Q-300	F05	14105-X01-000	E03	16000	
11221-H6B-000	E11	14108-M36-000	E03	16100-HTA-000-01	E13
11330-H9B-000	E04	14151-H9A-000	E03	16101-HTA-000	E13
11335-KJ9-300	E04	14311-H9A-300	E12	16219-R02-000	E13
11340-H9A-000	E07	14431-H9A-000-F2	E01	1652-0029	F02
11341-H9A-000	E07	1443A-H9A-000	E01	1652-0029	F02
11346-H9A-000	E07	14441-H9A-000-F2	E01	1652-0029	F02
11346-M9Q-000	F17	1444A-H9A-000	E01	16700-HMA-010	F13
11349-H9A-000	E07	14451-H6B-000	E01	1670A-HTA-000	F13
11360-H01-300	E07	14457-H9A-000	E03	16710-HTA-000	F13
11394-H9A-000	E04	14510-H9A-000	E03	16720-HTA-000	F13
11395-H9A-000	E07	14520-M9Q-000	E03	1690A-HMA-000	F13
12000		14523-M9Q-000	E03	17000	
12100-HLA-010		14531-KJ9-000	E03	1711A-HTA-000	E13
12100-HLA-010-A		14610-KV7-900	E03	17200-HTA-000	F19
12191-HLK-000		14711-H9A-000	E01	17208-M9Q-300	F19
12200-H9A-010	E01	14711-HNS-000	E01	17211-HLK-000	F19
12209-H6B-900	E01	14721-H9A-000	E01	17214-HLK-000	F19
1220A-HTA-000	E01	14751-H6B-000	E01	17230-HLK-000	F19
12251-HLK-010		14771-H6B-000	E01	17231-HLK-000	F19
12300-H9A-000	E03	14781-M9Q-000-A	E01	17253-H9B-000	F19
12310-H9A-000	E03	1484-0031	F02	17257-HLK-000	F19
12320-M36-000	E03	1484-0039	F02	17258-HTA-000	F19
12351-M36-000	E03	15000		17369-KB4-670	F13
12361-H9A-000	E01	15100-H9A-000	E05	17500-HMA-000	F13
12362-H9A-000	E01	15101-H9A-000	E05	17502-HMA-000	F13
1236A-V02-000	E04	15116-KJ9-000	E05	17503-HMA-000	F13
13000		15132-H9A-000	E05	17504-HMA-000	F13
13000-HTA-000	E12	15133-KM1-000	E05	17508-HMA-000	F13
13010-HLA-000		15134-HHA-000	E12	17509-HMA-000	F13
13010-HLA-000	E12	15134-KN7-670	E12	17580-HMA-000	F13
13101-HLA-000		15331-H9A-000	E05	17585-HMA-000	F13
13101-HLA-000	E12	15332-H9A-000	E05	17651-HMA-000	F13
13111-M4Q-000	E12	15421-B9D-000	E04	17652-TAA-000	F13

PRICE SHOWN IS PER PIECE. Product image price are approximate guide only.
Prices shown are subject to change without prior notice.

PARTS NO.	NO.		PARTS NO.	NO.		PARTS NO.	NO.	
17653-HMA-000	F13		19231-KJ9-010	E04		23210-M4Q-000	E09	
17654-HMA-000	F13		19300-H01-000	E01		23220-H9A-000	E09	
17661-HMA-000	F06		1930A-HHA-000	E01		23225-M9Q-000	E09	
1766A-HMA-000	F13		19310-KV7-900	E01		23226-M9Q-000	E09	
17910-HTA-000	F02		19315-HHA-000	E01		23233-KN7-670	E09	
18000			1931A-H9A-000	E01		23237-KG8-900	E09	
18000-HLY-000	F18		19320-HTA-000	E01		23238-M9Q-000	E09	
18000-HLY-010	F18		1940A-HTA-000	F17		23411-H9B-010	E10	
18241-HLK-000	F18		19501-HTA-000	F07		23420-M92-000	E10	
18251-HLK-000	F18		19502-H9A-000			23431-H9A-000	E10	
18291-H9A-000	E01		19503-HMA-000	F07		23432-M92-000	E10	
18292-F3E-000	F18		19505-HMA-000	F07		28000		
18293-HNS-000	F18		19505-H5D-900	F07		28100-H9A-000	E06	
18295-HNS-000	F18		19505-HMA-000	F07		28102-H9A-000	E06	
18305-HLY-000	F18		19505-KS6-700	F07		28110-H9A-000	E06	
18318-H9L-000	F18		19505-M8Q-000	F07		28115-H9A-000	E06	
18318-H9L-000	F18		19506-HTA-000	F07		28121-M4Q-300	E06	
18318-HNS-000	F18		19507-HMA-000	F07		28122-M4Q-300	E06	
18320-HLK-300	F18		21000			28125-426-000	E06	
18321-HLK-000	F18		21301-H9A-000	E10		28126-M9Q-000	E06	
18322-HLK-300	F18		21395-M92-000	E10		28129-M9Q-300	E06	
18328-HLK-000	F18		22000			2812A-V01-000	E06	
18362-KA4-700	F19		22000-H9B-000	E08		2812A-V01-000	E06	
1860A-HTA-000	E01		22101-KV7-900	E09		28220-H01-000	E07	
18647-HTA-000	E01		22102-RA1-000	E08		28223-H01-000	E07	
18654-N14-000	E01		22105-H9A-000	E08		28231-H01-000	E08	
18655-HTA-000	F20		22110-LVA-000	E08		28250-H01-000	E07	
18657-H9A-000	F20		22110-RA1-010	E08		28253-G02-000	E07	
1865A-HTA-000	F20		22121-X06-900-A	E08		28281-H9A-000	E07	
19000			22131-H9A-000	E08		28300-HKA-000	E07	
19000-HMA-000	F07		22132-HLA-000-A	E08		30000		
19005-HMA-000	F07		222Y-1032-M4	F02		30400-HTA-000	F14	
19010-HMA-000	F07		22300-H93-000	E09		3051A-H9A-010	F14	
19015-HMA-000	F06		22350-M4Q-000	E09		30700-H9A-000	F14	
19016-HMA-000	F06		22361-M9Q-000	E09		31000		
19101-HMA-000	F06		22401-X06-000	E09		3110A-HTA-000	E06	
19102-HMA-000	F06		22530-H93-000-A	E09		31110-HTA-000	E04	
19215-HLA-000	E04		22804-M9Q-000	E09		31120-HTA-000	E04	
19217-H9A-300	E04		23000			31200-HLA-000	E06	
19229-H9A-000	E04		23010-H93-000	E09		31508-H9A-000	F06	
1922A-HLA-000	E04		23200-M4Q-000	E09		31600-M56-000	F14	

PRICE SHOWN IS PER PIECE. Product image price are approximate guide only.
Prices shown are subject to change without prior notice.

PARTS NO.	NO.	PARTS NO.	NO.	PARTS NO.	NO.
32000		35860-HMC-010	F14	44720-H9A-000	F05
32100-HTA-000	F14	36000		44800-HMB-000	F04
32100-HTA-005	F14	36500-HMA-000	F15	45000	
32102-HMA-000	F14	37000		45100-HTA-000	F02
32106-TAM-000	F14	37200-HTA-000	F11	45121-HMB-000-SH	F04
32120-HMA-000	F14	37211-HMA-000	F11	45126-HTA-000	F02
32160-A3A-900	F02	37400-HTA-010	F14	45156-H3C-000	F12
32411-HMA-000	F14	37750-PC1-004	E01	45500-HTA-000	F02
32412-HMA-000	F14	37760-HMA-000	F07	45511-HTA-000	F02
32415-HMA-000	F14	37800-HMA-000	F13	45511-HTA-000	F02
32415-HMA-010	F14	38000		45517-GM9-712	F02
33000		38110-HMA-000	F14	45517-GM9-712	F02
33100-HMA-000	F01	3850A-HLA-000	F15	50000	
33120-HMA-000	F01	3850A-HLA-010	F15	50100-HTA-001	F17
33400-HTA-000	F01	3850A-M8Q-000	F15	50300-HMA-000	F17
33410-HTA-000	F01	38600-RA1-000	F06	50301-HMA-000	F17
33450-HTA-000	F01	38600-RA1-000	F14	50305-VA3-000	F17
33460-HTA-000	F01	38720-HMA-000	F15	50306-M9Q-000	F17
33700-HMA-000	F08	42000		50308-HMA-000	F17
33701-HMA-000	F08	42311-H9A-000	F05	50315-HMA-000	F15
33740-HMA-000	F12	42601-HTA-000	F05	50326-HMA-000	F06
33741-M9A-000	F12	42601-HTA-100	F05	50350-HTA-000	F16
34000		42753-KJ9-000	F04	50505-M92-010	F15
34901-HMA-000	F01	42753-KJ9-000	F05	5050A-HTA-000	F15
34905-HMA-000	F01	43000		50512-H6B-000	F15
35000		43100-HNA-000	F02	5052A-H9A-000	F15
35010-HMA-100	F14	43100-HTA-000	F02	50530-HMA-000	F15
35100-HMA-100	F14	43105-HMA-000-A	F02	5053A-HMA-000	F15
35110-HMA-000	F14	43121-H9A-000	F05	50611-HMA-000	F12
35111-HMA-100-A01	F14	43126-HTA-000	F02	50613-HMA-000	F16
35111-HMA-100-B01	F14	43500-HTA-000	F02	50614-HMA-000	F16
35150-HTA-000	F02	43502-HMA-000	F02	50621-HMA-000	F16
35200-HMA-000	F02	43502-HMA-000	F02	50622-HMA-000	F16
35340-KBN-900	F02	44000		50623-HMA-000	F16
35350-KBN-900	F02	44301-G22-000	F04	50624-HMA-000	F16
35360-HTA-000	F06	44311-GW0-910	F04	50625-HMA-000	F16
35370-M9P-000	F09	44312-HMA-000	F04	50626-HMA-000	F16
35380-HMA-000	F09	44601-HMA-000	F04	50627-HMA-000	F16
35400-HTA-000	F14	44620-H3A-000	F04	50629-HMA-000	F16
35860-HMC-000	F14	44720-H9A-000	F04	5062A-HMA-000	F16

PRICE SHOWN IS PER PIECE. Product image price are approximate guide only.
Prices shown are subject to change without prior notice.

PARTS NO.	NO.		PARTS NO.	NO.		PARTS NO.	NO.	
5062B-HMA-000	F16		61100-HMA-000-KZ	F04		64323-HMA-000	F10	
51000			61100-HMA-000-QU	F04		64324-HMA-000	F10	
51106-HMA-000	F04		61100-HMA-000-QZ	F04		6432C-HMA-000	F10	
51400-HMA-000	F04		61100-HMA-000-SO	F04		67000		
51500-HMA-000	F04		61101-HMA-000	F01		67100-HMA-000	F11	
52000			64000			67101-HMA-000	F11	
52100-HLK-000	F05		64300-HMA-000-BJ	F01		6710A-HMA-000	F11	
5210A-HLK-000	F05		64300-HMA-000-BZ	F01		67110-HMA-000	F11	
52400-HTA-000	F05		64300-HMA-000-IF	F01		67111-HMA-000	F11	
53000			64300-HMA-000-IZ	F01		6711A-HMA-000	F11	
53100-HMA-000	F02		64300-HMA-000-KX	F01		74000		
53104-N02-000	F02		64300-HMA-000-KZ	F01		74480-HMA-010	F09	
53125-M9Q-000	F02		64300-HMA-000-QU	F01		74481-HMA-000	F09	
53140-HMA-900	F02		64300-HMA-000-QZ	F01		75000		
53166-H85-000	F02		64300-HMA-000-SO	F01		75581-M9Q-000	F08	
53175-HMA-000	F02		64301-HMA-010-BJ	F01		77000		
53178-HMA-000	F02		64301-HMA-010-BZ	F01		77200-HMA-010	F09	
53200-HTA-000	F04		64301-HMA-010-IF	F01		77201-HMA-900	F09	
53204-HMA-900	F02		64301-HMA-010-IZ	F01		77203-HMA-010	F09	
53205-HMA-900-KA	F02		64301-HMA-010-KX	F01		77204-HMA-000	F09	
53206-HMA-900	F02		64301-HMA-010-KZ	F01		77230-HMA-000	F08	
53207-HMA-900	F02		64301-HMA-010-QU	F01		77233-HMA-000	F14	
53208-HMA-000	F11		64301-HMA-010-QZ	F01		77236-HAA-000	F08	
53208-HMA-020	F11		64301-HMA-010-SO	F01		77236-T53-000	F08	
53208-HMA-030	F11		64304-X01-000	F11		77239-HMA-000	F08	
53209-HMA-000	F11		64310-HMA-010-KA	F10		77239-HMA-000	F14	
53211-HMA-000	F17		64310-HMA-020-KA	F10		77240-HMA-000	F08	
53212-VA3-000	F04		64311-HMA-010	F10		77300-HMA-000	F09	
53212-VA3-000	F17		64311-HMA-020-KA	F10		80000		
53214-HMA-000	F04		64312-HMA-000	F10		80100-HMA-000	F12	
53215-HHA-000	F04		64312-HMA-000	F11		80102-H9A-900	F12	
53215-HMA-000	F17		64313-HMA-000	F10		80102-HMA-000	F12	
53220-HMA-000	F04		64314-HMA-000	F10		80104-HMA-000	F09	
53225-HMA-000	F17		64315-HMA-000	F10		8010A-HMA-000	F12	
61000			64315-HMA-000	F11		80110-H9A-000	F12	
61100-HMA-000-BJ	F04		64317-HMA-000	F10		80111-H9A-000	F12	
61100-HMA-000-BZ	F04		64318-HMA-000	F10		81000		
61100-HMA-000-IF	F04		64319-HMA-000-KA	F10		81131-HMA-000-KA	F06	
61100-HMA-000-IZ	F04		64321-HMA-000	F10		81134-HMA-000	F11	
61100-HMA-000-KX	F04		64322-HMA-000	F10		81135-A1A-000	F10	

PRICE SHOWN IS PER PIECE. Product image price are approximate guide only.
Prices shown are subject to change without prior notice.

PARTS NO.	NO.		PARTS NO.	NO.		PARTS NO.	NO.	
81135-A1A-000	F11		81257-HMB-000	F09		8360G-HTA-000-SO1	F08	
81141-HMA-000	F06		8125A-HTA-000	F09		83620-HTA-000-BJ	F10	
81142-HMA-000	F06		8125B-HMA-005	F09		83620-HTA-000-BZ	F10	
81143-HMA-000	F06		83000			83620-HTA-000-IF	F10	
81144-HMA-000	F06		83500-HMA-000-IF	F08		83620-HTA-000-IZ	F10	
81146-HMA-000	F06		83500-HMA-000-KX	F08		83620-HTA-000-KX	F10	
81151-HMA-000	F11		83500-HMA-000-QU	F08		83620-HTA-000-KZ	F10	
81151-HMA-010	F11		83501-HMA-000	F08		83620-HTA-000-QU	F10	
81151-HMA-020	F11		8350G-HTA-000-BJ1	F08		83620-HTA-000-QZ	F10	
81151-HMA-030	F11		8350G-HTA-000-BZ1	F08		83620-HTA-000-SO	F10	
81152-HMA-000	F11		8350G-HTA-000-IZ1	F08		83630-HMA-000	F09	
81153-HMA-010	F10		8350G-HTA-000-KZ1	F08		83630-HMB-000	F09	
81153-HMA-010	F11		8350G-HTA-000-QZ1	F08		87000		
8115A-HMA-010	F11		8350G-HTA-000-SO1	F08		87121-H85-000	F11	
8115B-HMA-000	F11		83520-HMA-000-BJ	F10		87123-H85-000	F11	
81200-HMA-000-BJ	F08		83520-HMA-000-BZ	F10		87123-HEB-000	F02	
81200-HMA-000-BZ	F08		83520-HMA-000-IF	F10		87123-HMA-000	F11	
81200-HMA-000-IF	F08		83520-HMA-000-IZ	F10		87125-HMA-000	F11	
81200-HMA-000-IZ	F08		83520-HMA-000-KX	F10		87126-HTA-000	F08	
81200-HMA-000-KX	F08		83520-HMA-000-KZ	F10		87126-HTA-000	F08	
81200-HMA-000-KZ	F08		83520-HMA-000-QU	F10		87126-HTA-000	F08	
81200-HMA-000-QU	F08		83520-HMA-000-QZ	F10		87126-HTA-000	F08	
81200-HMA-000-QZ	F08		83520-HMA-000-SO	F10		87126-HTA-000	F08	
81200-HMA-000-SO	F08		83600-HMA-000-IF	F08		87126-HTA-000	F08	
8120A-HMA-000-BZ	F08		83600-HMA-000-KX	F08		87126-HTA-000	F08	
8120A-HMA-000-IZ	F08		83600-HMA-000-QU	F08		87126-HTA-000	F08	
8120A-HMA-000-KZ	F08		83601-HMA-000	F08		87126-HTA-000	F08	
8120A-HMA-000-QZ	F08		83602-HMA-000	F08		87126-HTA-000	F08	
81210-HMA-000	F08		83602-HMA-000	F08		87126-HTA-000	F08	
81211-HMA-000-BJ	F08		83602-HMA-000	F08		87126-HTA-000	F08	
81211-HMA-000-BZ	F08		83602-HMA-000	F08		87126-HTA-000	F08	
81211-HMA-000-IF	F08		83602-HMA-000	F08		87126-HTA-000	F08	
81211-HMA-000-IZ	F08		83602-HMA-000	F08		87126-HTA-000	F08	
81211-HMA-000-KX	F08		83602-HMA-000	F08		87126-HTA-000	F08	
81211-HMA-000-KZ	F08		83602-HMA-000	F08		88000		
81211-HMA-000-QU	F08		8360G-HTA-000-BJ1	F08		88110-HMA-900	F03	
81211-HMA-000-QZ	F08		8360G-HTA-000-BZ1	F08		88111-HMA-000	F03	
81211-HMA-000-SO	F08		8360G-HTA-000-IZ1	F08		88112-HMA-000	F03	
81250-HMA-010	F09		8360G-HTA-000-KZ1	F08		88120-HMA-900	F03	
81257-HMA-000	F09		8360G-HTA-000-QZ1	F08		88121-HMA-000	F03	

PRICE SHOWN IS PER PIECE. Product image price are approximate guide only.
Prices shown are subject to change without prior notice.

PARTS NO.	NO.	PARTS NO.	NO.	PARTS NO.	NO.
88122-HMA-000	F03	90145-M9Q-000	F02	90701-HB6-010	E12
89000		90164-M9Q-000	F04	90704-HLK-000	
89010-M92-000	F03	90201-KR8-751-M1	E06	90754-M9Q-000-M2	F04
90000		90201-M9Q-000	E08	90912-M9Q-000	F04
90001-M9Q-000	E03	90202-M9Q-000	E09	91000	
90002-H94-000	E11	90206-HLK-000	E01	91001-H6T-300	E09
90004-M9Q-000	E06	90215-HLK-000	F18	91001-H9A-000	E12
9000A-M9Q-000	E07	90301-GE0-000	F09	91001-KJ9-005	E04
9000B-M9Q-000	E07	90301-M92-000	F18	91002-H6B-300	E09
90012-M9Q-000	E01	90302-M92-000	F01	91002-H9A-000	E12
90031-HLK-000	E01	90302-M92-000	F02	91003-M8Q-000	E10
90032-HLK-000	E01	90302-M92-000	F06	91101-HLA-000	E12
90083-X01-000	E03	90302-M92-000	F08	91101-X06-000	E06
90085-HHA-900	F14	90302-M92-000	F09	91104-KN7-670	E10
9008A-H9A-000	E04	90302-M92-000	F10	91202-M9Q-300	E10
90103-HMA-000	F04	90302-M92-000	F11	91205-KF0-003	E04
90103-HMA-000	F04	90304-M9Q-000	F02	91211-M8Q-000	E09
90103-M9Q-000	E11	90304-M9Q-000	F15	91255-GE0-003	E10
90103-V02-000	F18	90305-M9Q-000	F04	91255-H9A-000	F04
90104-H5K-000	F02	90305-M9Q-900	F05	91255-H9A-000	F04
90105-H9A-000	F16	90306-M9Q-000	F04	91256-H9A-000	F04
90105-KR3-000	F04	90306-M9Q-000	F16	91256-H9A-000	F04
90105-KR3-000	F05	90306-M9Q-000	F17	91259-H9A-000	F04
90106-H2G-000	F08	90401-HLA-000	F18	91259-H9A-000	F04
90106-HMA-000	F09	90401-KJ9-000	E06	91261-415-003	E12
90106-M9Q-000	F02	90401-KJ9-000	E08	91301-B06-000	E03
90106-M9Q-900	F17	90403-KN7-670	E09	91301-H9A-000	E01
90108-HMA-000	F15	90423-KJ9-000	E04	91301-KV7-671-M1	E01
90111-HKD-000	F06	90441-KV7-900	E09	91302-M9Q-000	E04
90111-M9Q-000	F10	90442-HLK-000	E01	91303-M2Q-000	E04
90111-M9Q-800	F09	90443-HLK-000	E01	91306-M9Q-000	E03
90111-M9Q-900	F06	90451-GN2-600	E07	91308-M9Q-000	E13
90111-M9Q-900	F12	90474-M9Q-000	E11	91309-HMA-000	F04
90114-H9A-000	F02	90478-700-000	E04	91309-HMA-000	F04
90114-H9A-000	F02	90481-M9Q-000	E11	91384-M9Q-000	E09
90116-HAA-000	F13	90545-M9Q-000	F02	93000	
90118-HLK-000	F01	90652-M9Q-000	F19	93401-06020-07	F18
90119-HMA-000	F11	90677-M9Q-000	F09	93402-06016-08	E01
90121-M9Q-000	F17	90677-M9Q-000	F12	93403-08032-07	F18
90131-H81-000	F05	90677-M9Q-000	F19	93404-06012-08	F13

PRICE SHOWN IS PER PIECE. Product image price are approximate guide only.
Prices shown are subject to change without prior notice.

PARTS NO.	NO.	PARTS NO.	NO.	PARTS NO.	NO.
93404-06016-07	F01	93903-44380	F02	95801-06012-08	F15
93404-06016-07	F15	93903-44380	F09	95801-06016-08	F14
93404-06016-08	F12	93903-44380	F11	95801-06022-07	F02
93404-06016-08	F13	93903-44380	F13	95801-06030-08	F14
93404-06020-08	F07	94000		95801-08016-08	F14
93404-06030-07	F19	94002-08080-0S	F15	95801-08020-08	F16
93405-06012-08	F07	94050-05080	F12	95801-08035-07	F05
93406-05010-07	F09	94050-06080	F09	95801-10040-08	F04
93406-08012-00	F08	94050-06080	F13	95801-10040-08	F05
93500-03012-1A	E05	94050-12000	E09	96000	
93500-05012-0H	E07	94101-08800	F09	96001-06010-08	E03
93500-05016-0A	E04	94103-12800	F17	96001-06010-08	E04
93500-05028-0G	E13	94109-12000	E11	96001-06012-08	E03
93500-05035-0A	E04	94111-06000	F18	96001-06014-08	E03
93500-06030-0H	E05	94251-08400	F09	96001-06016-08	E01
93600-04012-1GF	F02	94301-08140	E04	96001-06016-08	E01
93600-04012-1GF	F02	94301-08140	E10	96001-06020-08	E01
93891-05012-07	F02	94301-08140	E11	96001-06022-00	E04
93891-05016-07	F09	94303-04065	E05	96001-06025-08	E06
93891-05016-07	F10	94510-10000	E05	96001-06030-08	E10
93891-06050-07	F04	94510-20000	E10	96001-06032-00	E04
93892-05012-08	F16	94511-14000	E07	96001-06035-08	E10
93893-06016-07	F04	94520-26000	E04	96001-06050-08	E04
93894-06012-07	F12	94520-28000	E09	96001-06050-08	E11
93903-25320	F01	94524-47000	F05	96001-06055-00	E11
93903-25320	F06	94540-06029	F18	96001-06095-08	E01
93903-25320	F11	94540-07010	E09	96001-06125-00	E04
93903-25480	F19	94540-07010	F16	96100-60000-00	E04
93903-34320	F01	94591-25000	F06	96100-62033-10	E10
93903-34320	F02	94601-15000	E12	96100-63013-00	E10
93903-34320	F06	95000		96150-60043-10	E10
93903-34320	F10	95002-02080	F13	96150-63033-10	F05
93903-34320	F11	95002-40730-08	E01	96220-20118	E12
93903-34320	F11	95005-45100-20	F13	96700-06025-07	F03
93903-34320	F12	95701-06020-08	E03	DRIVE BELT	
93903-34380	F06	95701-06022-07	E07	1B01H9A01	E08
93903-34380	F08	95701-10012-00	E11	CAM CHAIN	
93903-34380	F10	95801-06012-07	F06	1C14401-M92-000	E03
93903-34380	F12	95801-06012-08	F08	1C15141-KJ9-003-E1	E05
93903-34380	F13	95801-06012-08	F12	SPARK PLUG	

PRICE SHOWN IS PER PIECE. Product image price are approximate guide only.
Prices shown are subject to change without prior notice.

PARTS NO. INDEX

PARTS NO.	NO.		PARTS NO.	NO.		PARTS NO.	NO.	
1PCR8E-3	E01							
TIRE								
1T011109013-6029	F04							
1T011307012-6029	F05							
OTHER								
1V93-0228	F02							
BATTERY								
1Y01KV701-Y	F03							
OTHER								
HTA-1	E13							
HTA-2	E13							
HTA-3	E13							
HTA-4	E13							
HTA-5	E13							

PRICE SHOWN IS PER PIECE. Product image price are approximate guide only.
 Prices shown are subject to change without prior notice.